



# D38 Decade Series

## ACOUSTIC & ELECTRICAL SPECIFICATIONS:

- Nominal Impedance 8 ohms
- Max Amp Power 175 watts
- Frequency Response 50 Hz - 20 kHz (-6dB)
- Sensitivity 92 dB (1 watt @ 1 meter)
- Crossover Frequency 4.5 kHz/10 kHz

- High Frequency Transducer 2" (51mm) Paper Cone 334659-001
- DC Resistance 3.3 ohms ± 10%
- Crossover Network 334787-001

## SYSTEM COMPONENTS:

- Enclosure D38 (Not for Sale)
- Grille 334793-001
- Low Frequency Transducer 8" (381mm) Paper Cone 334624-001
- DC Resistance 7.2 ohms ± 10%
- Mid Frequency Transducer 4" (101mm) Paper Cone 334657-001
- DC Resistance 3.5 ohms ± 10%

## AURAL SWEEP TEST SPECIFICATIONS:

- System Aural Sweep Test 6.0V Input 50 Hz to 20 kHz
- L.F. Aural Sweep Test 5.0V Input 50 Hz to 5 kHz
- M.F. Aural Sweep Test 2.0V Input 4 kHz to 10 kHz
- H.F. Aural Sweep Test 2.0V Input 9 kHz to 20 kHz

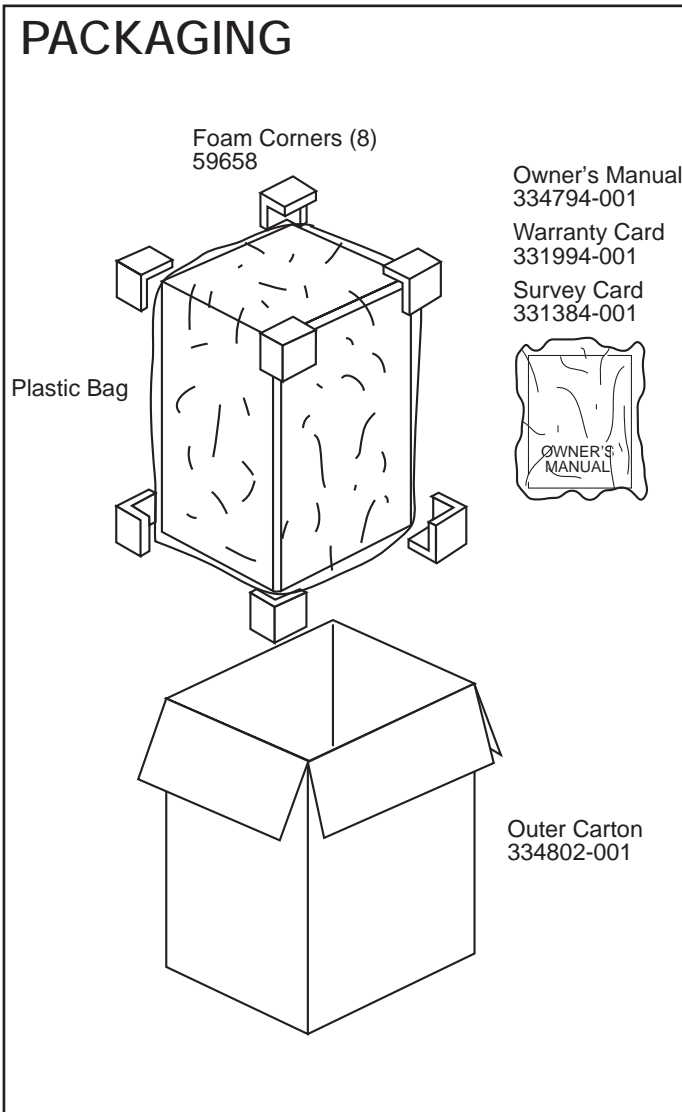
## PHYSICAL SPECIFICATIONS:

- Enclosure dimensions: 16¾" x 10¾" x 12" (H x W x D) 425 x 273 x 305 mm
- Weight 17 lbs. (7.7kg) Each

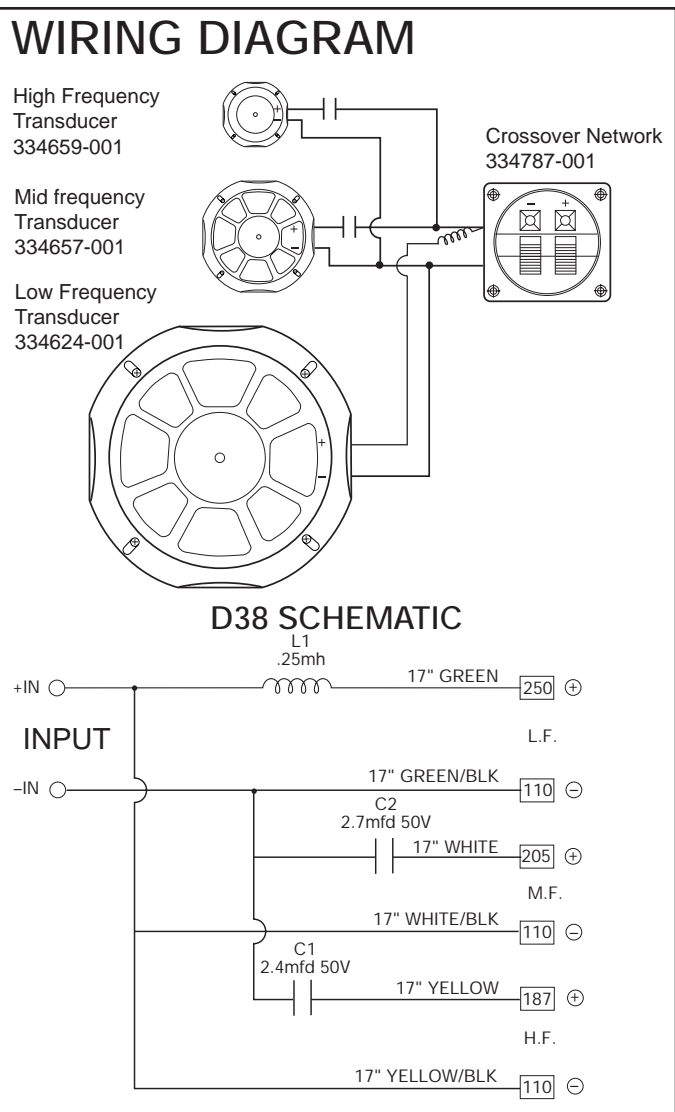
## WARRANTY:

- Refer to Warranty Statement packed with each product.

## PACKAGING



## WIRING DIAGRAM

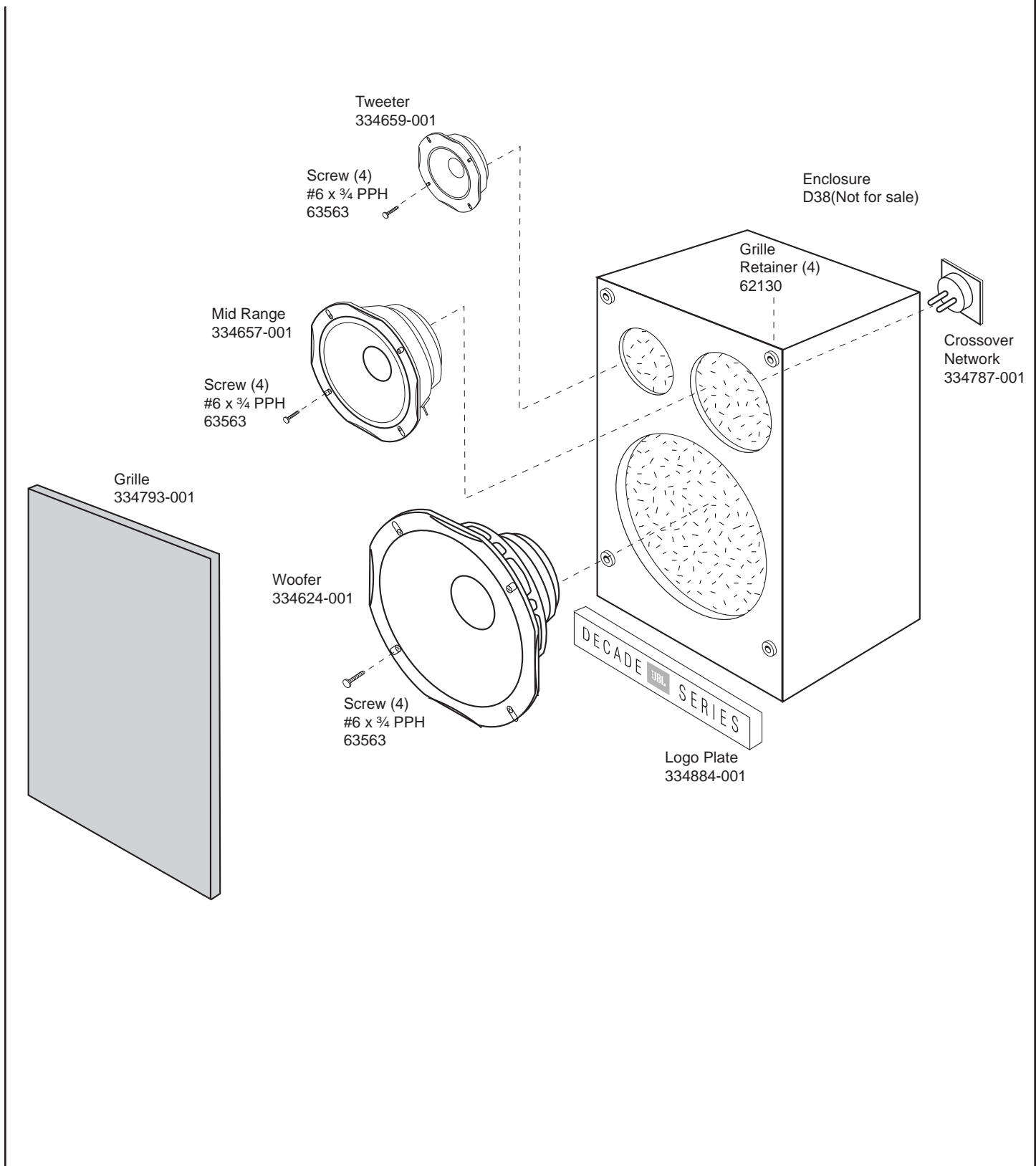


D38 — Decade Series

# D38 Decade Series



## EXPLODED VIEW



D38 — Decade Series