



D315 Decade Series

ACOUSTIC & ELECTRICAL SPECIFICATIONS:

- Nominal Impedance 8 ohms
- Max Amp Power 250 watts
- Frequency Response 40 Hz - 20 kHz (-6dB)
- Sensitivity 96 dB (1 watt @ 1 meter)
- Crossover Frequency 3 kHz/12 kHz

SYSTEM COMPONENTS:

- Enclosure D315 (Not for Sale)
- Grille 334793-004
- Low Frequency Transducer 15" (381mm) Paper Cone 334656-001
DC Resistance 6.5 ohms ±10%
- Mid Frequency Transducer 4" (101mm) Paper Cone 334658-001
DC Resistance 3.3 ohms ±10%
- High Frequency 2" (51mm) Paper Cone

- Transducer 334659-001
- DC Resistance 3.3 ohms ±10%
- Crossover Network 334790-001

AURAL SWEEP TEST SPECIFICATIONS:

- System Aural Sweep Test 6.0V Input 40 Hz to 20 kHz
- L.F. Aural Sweep Test 5.0V Input 40 Hz to 4 kHz
- M.F. Aural Sweep Test 2.0V Input 2 kHz to 12 kHz
- H.F. Aural Sweep Test 2.0V Input 11 kHz to 20 kHz

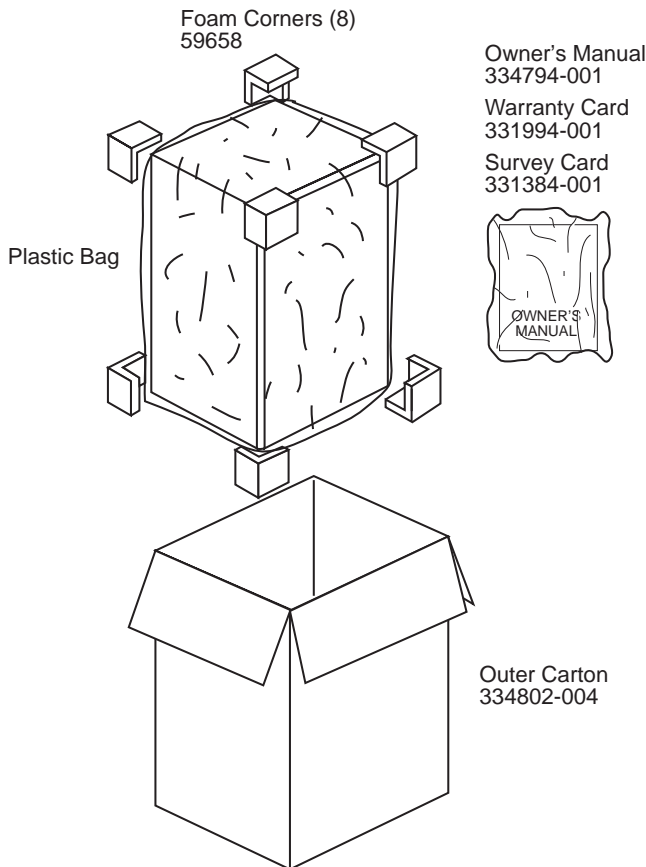
PHYSICAL SPECIFICATIONS:

- Enclosure dimensions: 30⁷/₈" x 16¹/₄" x 11¹/₂" (H x W x D)
784 x 412 x 292 mm
- Weight 35 lbs. (15.8kg) Each

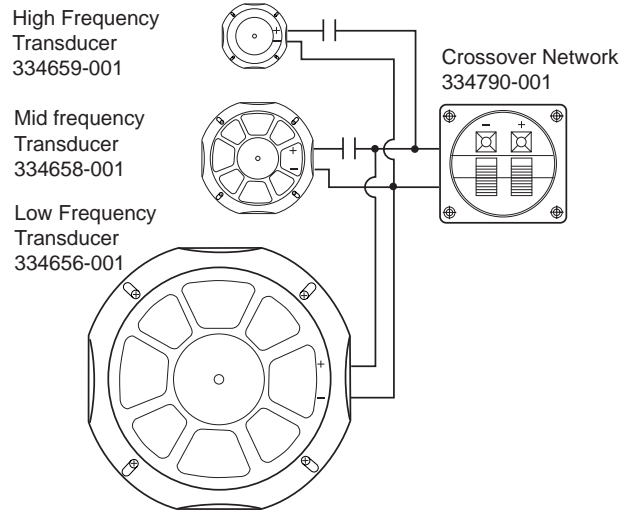
WARRANTY:

- Refer to Warranty Statement packed with each product.

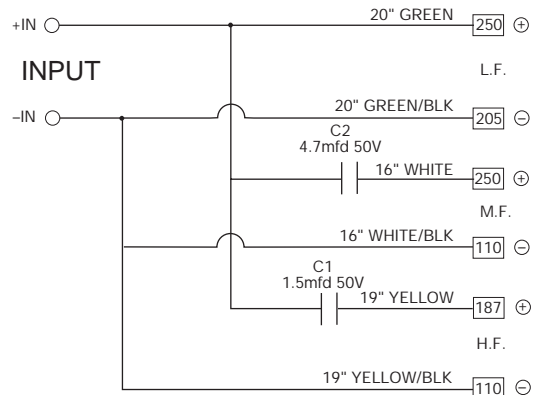
PACKAGING



WIRING DIAGRAM



D315 SCHEMATIC

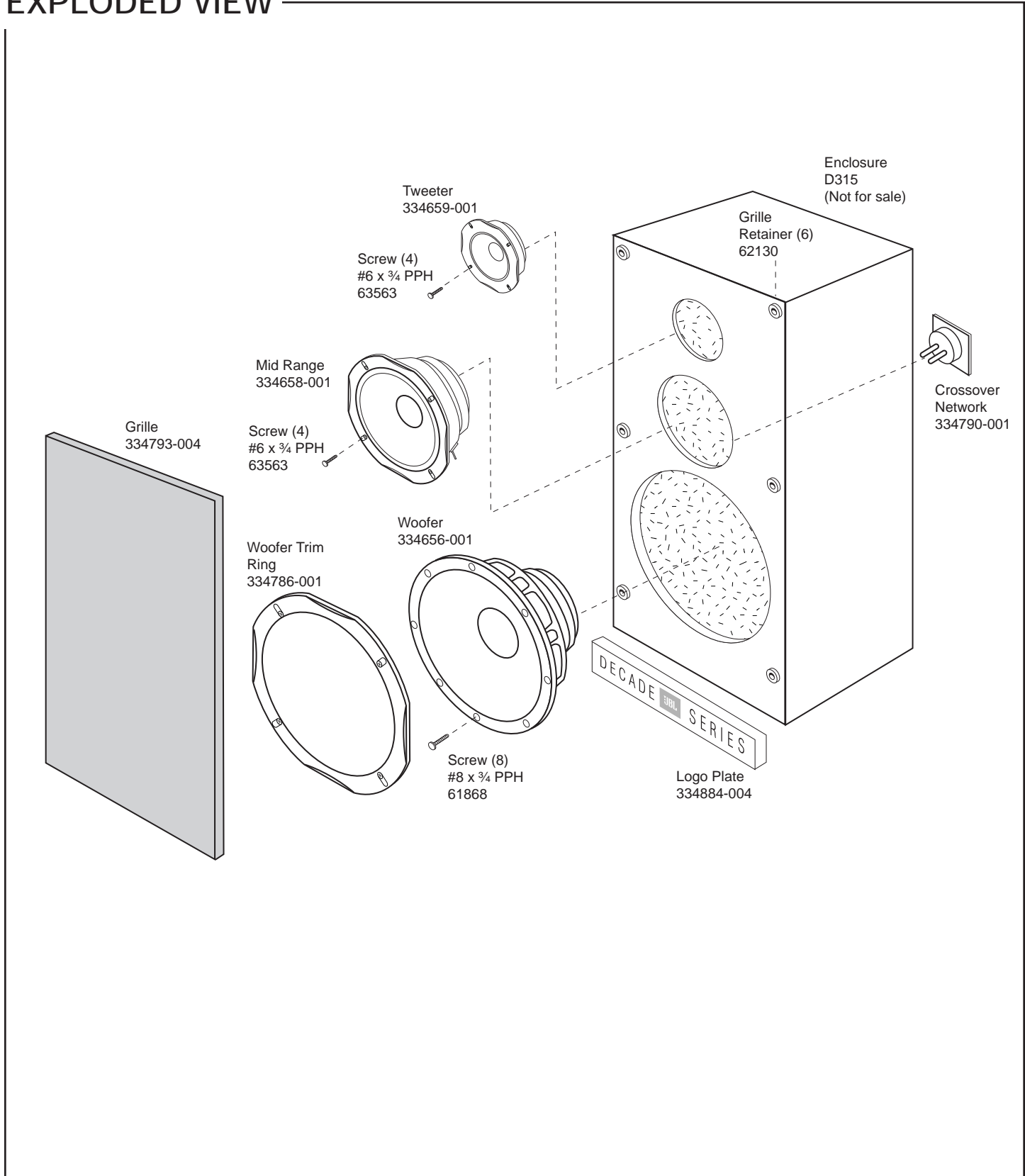


D315 — Decade Series

D315 Decade Series



EXPLODED VIEW



D315 — Decade Series