

# Technical Manual

# CVCEN50 JBL Cinema Vision™



## ACOUSTIC & ELECTRICAL SPECIFICATIONS:

- Nominal Impedance 8Ω
- Max Amp Power 150 watts\*
- Frequency Response 55Hz – 30kHz (–6dB)
- Sensitivity 90dB (2.83 volts @ 1 meter)
- Crossover Frequencies 800Hz, 2.2kHz

## SYSTEM COMPONENTS:

- Cabinet CVCEN50 (not for sale)
- Grille 244-050-05019-0VA
- High-Frequency Transducer 3/4" (19mm) titanium-laminate dome, video-shielded 79DM19AJ-DT04
  - DC Resistance 3.1 ohms ±10%
- Low-Frequency Transducer Dual 5" (127mm) with PolyPlas™ cones, neodymium magnets, video-shielded 13PR36EZR-JW01
  - DC Resistance 9.7 ohms ±10%
- Crossover Network 013-7600-00829

## AURAL SWEEP TEST SPECIFICATIONS:

- System Aural Sweep Test 6.0V input 55Hz to 20kHz
- L.F.1 Aural Sweep Test 5.0V input 55Hz to 1kHz
- L.F.2 Aural Sweep Test 5.0V input 55Hz to 3kHz
- H.F. Aural Sweep Test 2.83V input 2kHz to 20kHz

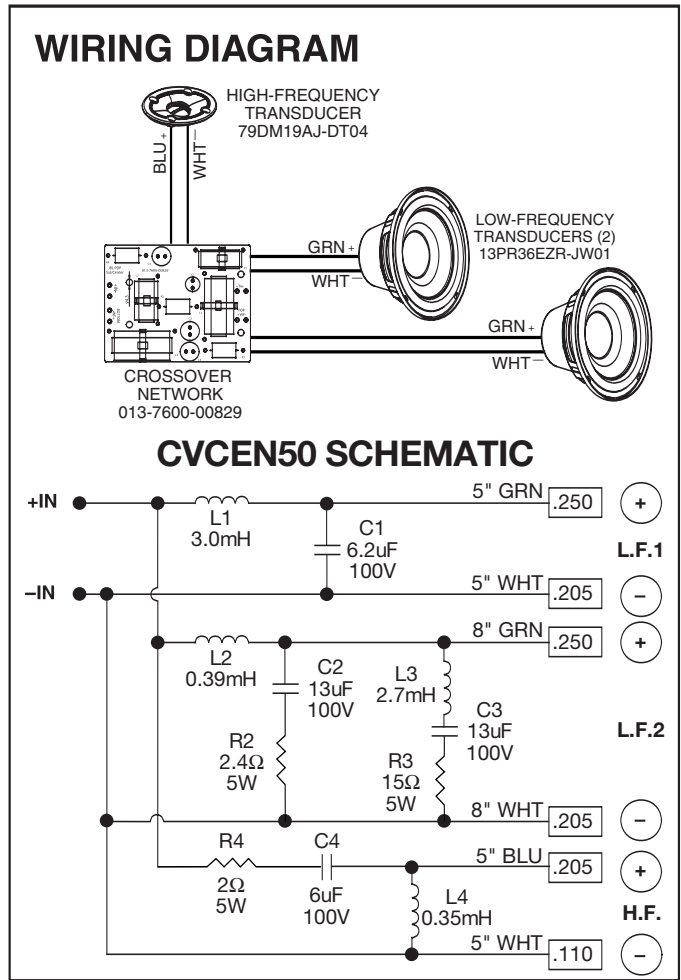
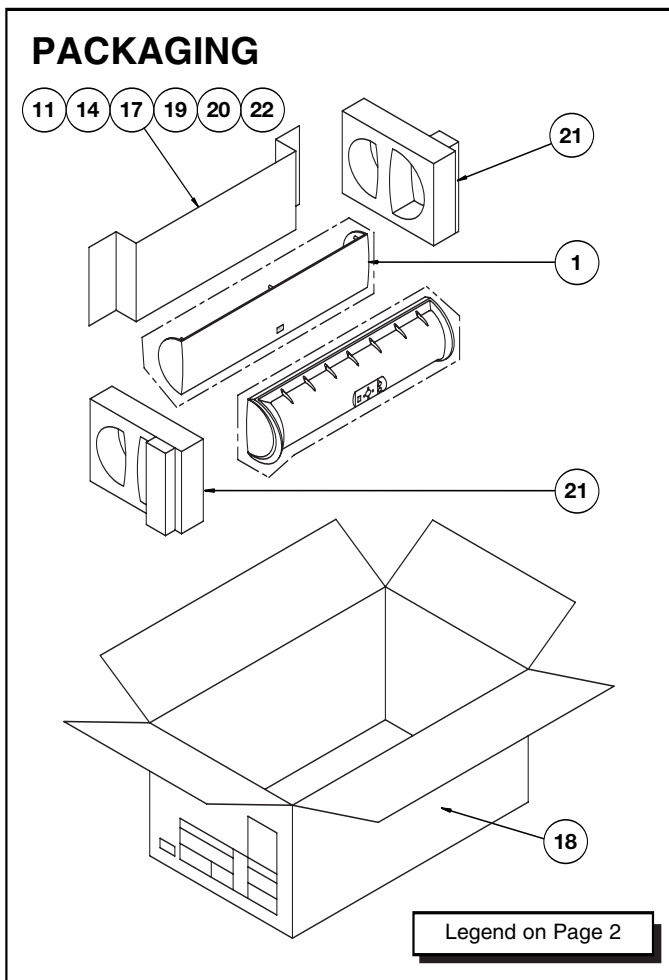
## PHYSICAL SPECIFICATIONS:

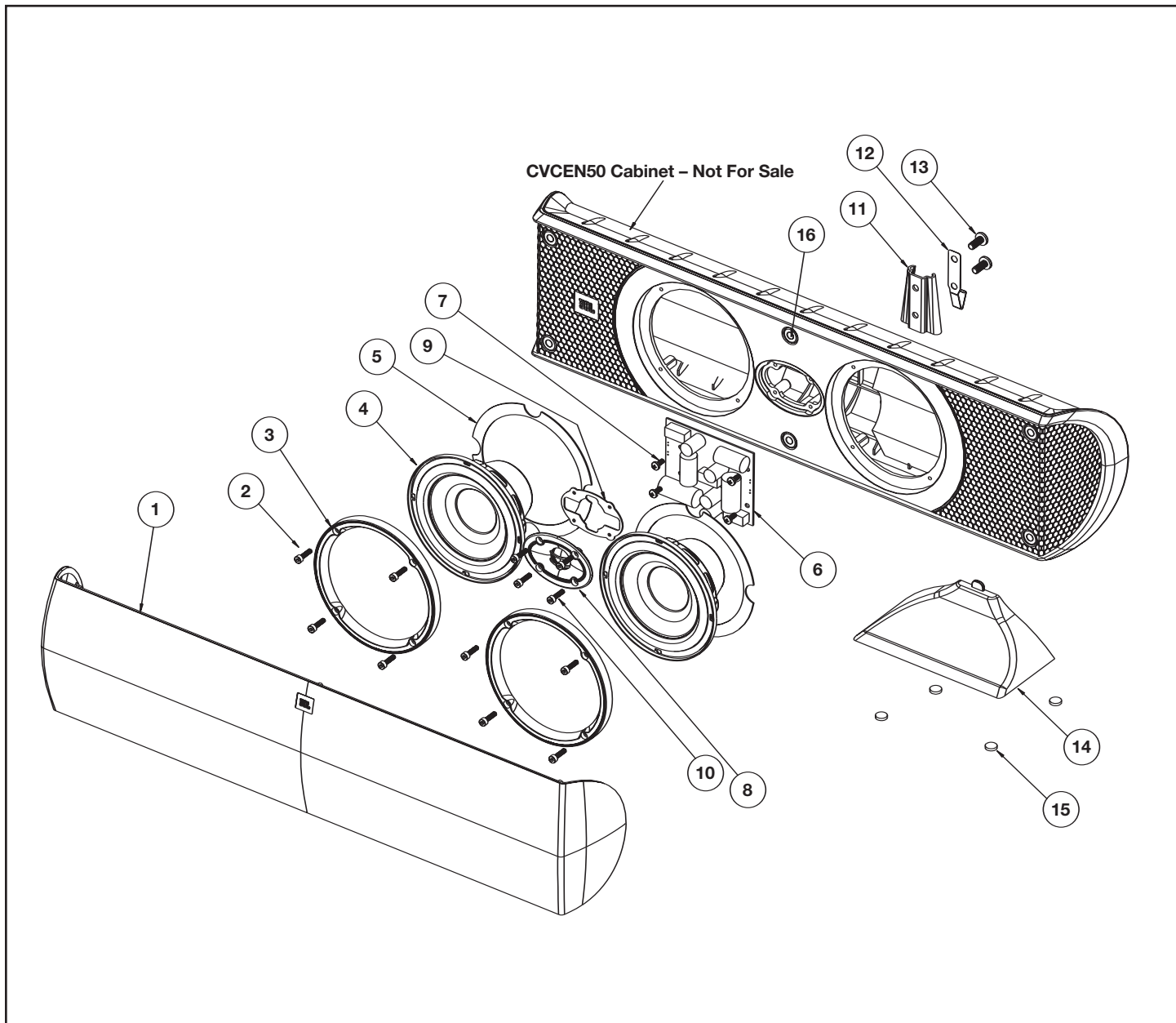
- Enclosure Dimensions 6-1/4" x 25-1/8" x 4-5/8" (H x W x D) including wall-mount bracket and grille (159mm x 638mm x 117mm)
- Weight 6.9 lb/3.1kg Each

## WARRANTY:

- Refer to Warranty Statement packed with each product

\* The maximum recommended amplifier power rating will ensure proper system headroom to allow for occasional peaks. We do not recommend sustained operation at these maximum power levels.





ITEM NO.	DESCRIPTION	QTY.	PART NO.	ITEM NO.	DESCRIPTION	QTY.	PART NO.
1.	Front Grille	1	244-050-05019-0VA	13.	Screw (bracket)	2	351-AC25016A353
2.	Screw (woofer)	8	352-KM04016D189	14.	Cradle Stand	1	325-ABS-05023-0VA
3.	Woofer Trim Ring	2	213-050-00531-0VA	15.	Rubber Foot	4	373-000-00124
4.	Woofer	2	13PR36EZR-JW01	16.	Grille Cup (Gray)	6	338-RUB-00019-A
5.	Woofer Gasket, 70*45*1.0T Black	2	214-050-01129		Grille Cup (Black)	6	338-RUB-00019
6.	Crossover Network	1	013-7600-00829	17.	Wire Cable al2001-1	1	370-000-00069
7.	Screw (network)	4	352-KM04016D189	18.	Outer Carton	1	402-000-01890
8.	Tweeter	1	79DM19AJ-DT04	19.	Warranty Card	1	405-000-00341
9.	Tweeter Gasket	1	336-EVA-05028-0BA	20.	Owner's Manual	1	406-000-01002
10.	Screw (tweeter)	4	352-CM04010D155	21.	Packing Material	2	431-000-01090
11.	CVSAT50 Bracket 60*44.1*14.2H*2.0T	1	325-SPCD-00434	22.	Wrench	1	399-000-00044
12.	Metal Clip	1	399-SUS-05046-1LA				

CVCEN50