



# CM Center

## ACOUSTIC & ELECTRICAL SPECIFICATIONS

- Nominal Impedance 8 ohms
- Max Amp Power 100 watts
- Frequency Response 90Hz - 20kHz
- Sensitivity 88 dB SPL, 1 watt @ 1 meter
- Crossover Frequency 3.5 kHz

## SYSTEM COMPONENTS:

- Cabinet CM Center (Not For Sale)
- Grille (Black) G04036
- Low Frequency Transducer (2) 4" Shielded Poly laminate Cone (B10AH80MF-01DW)
- DC Resistance 3.6 ohms  $\pm$ 10%
- High Frequency Transducer 1/2" Shielded Titanium Dome (DT397TH-3)

## SYSTEM COMPONENTS: (cont.)

- DC Resistance 6.4 ohms  $\pm$ 10%
- Crossover Network CM Center (XR0118)

## AURAL SWEEP TEST SPECIFICATIONS:

- System Aural Sweep Test 4.0V Input 60 Hz to 20 kHz
- L.F. Aural Sweep Test 3.0V Input 60 Hz to 5 kHz
- H.F. Aural Sweep Test 2.0V Input 3 kHz to 20 kHz

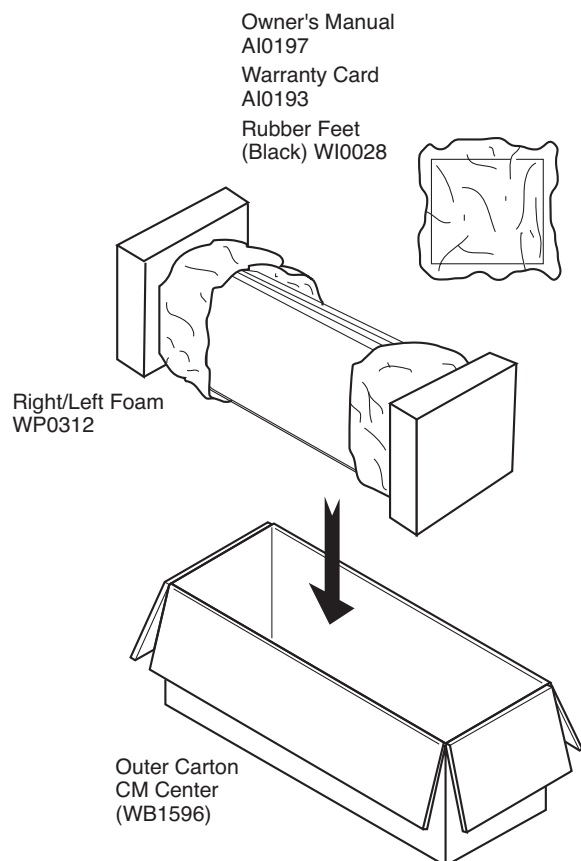
## PHYSICAL SPECIFICATIONS

- Enclosure dimensions: 6 1/4 x 13 3/4 x 6 3/4" (H x W x D) 159 x 349 x 171mm
- Weight 10 lbs. (4.5 kg) Each

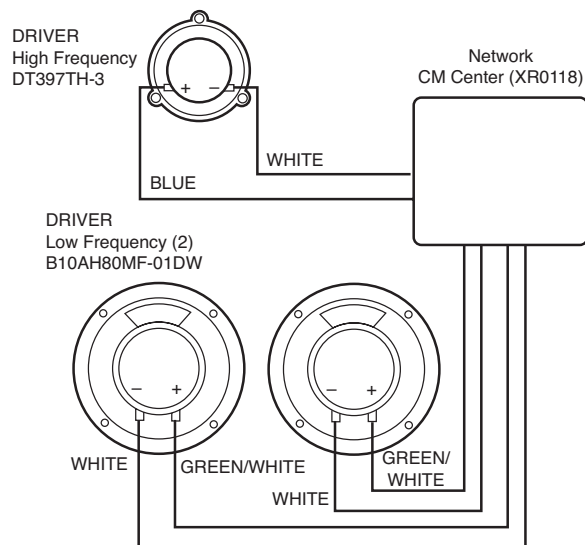
## WARRANTY:

- Refer to Warranty Statement packed with each product.

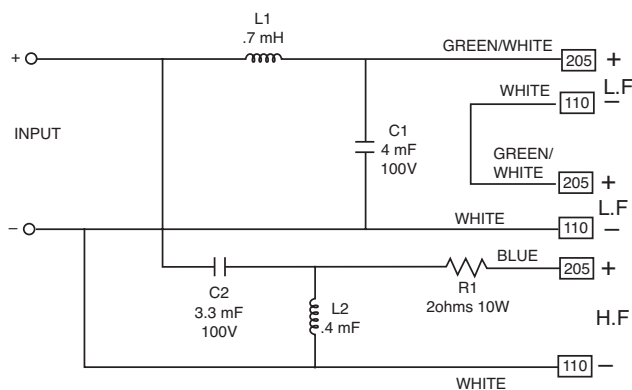
## PACKAGING



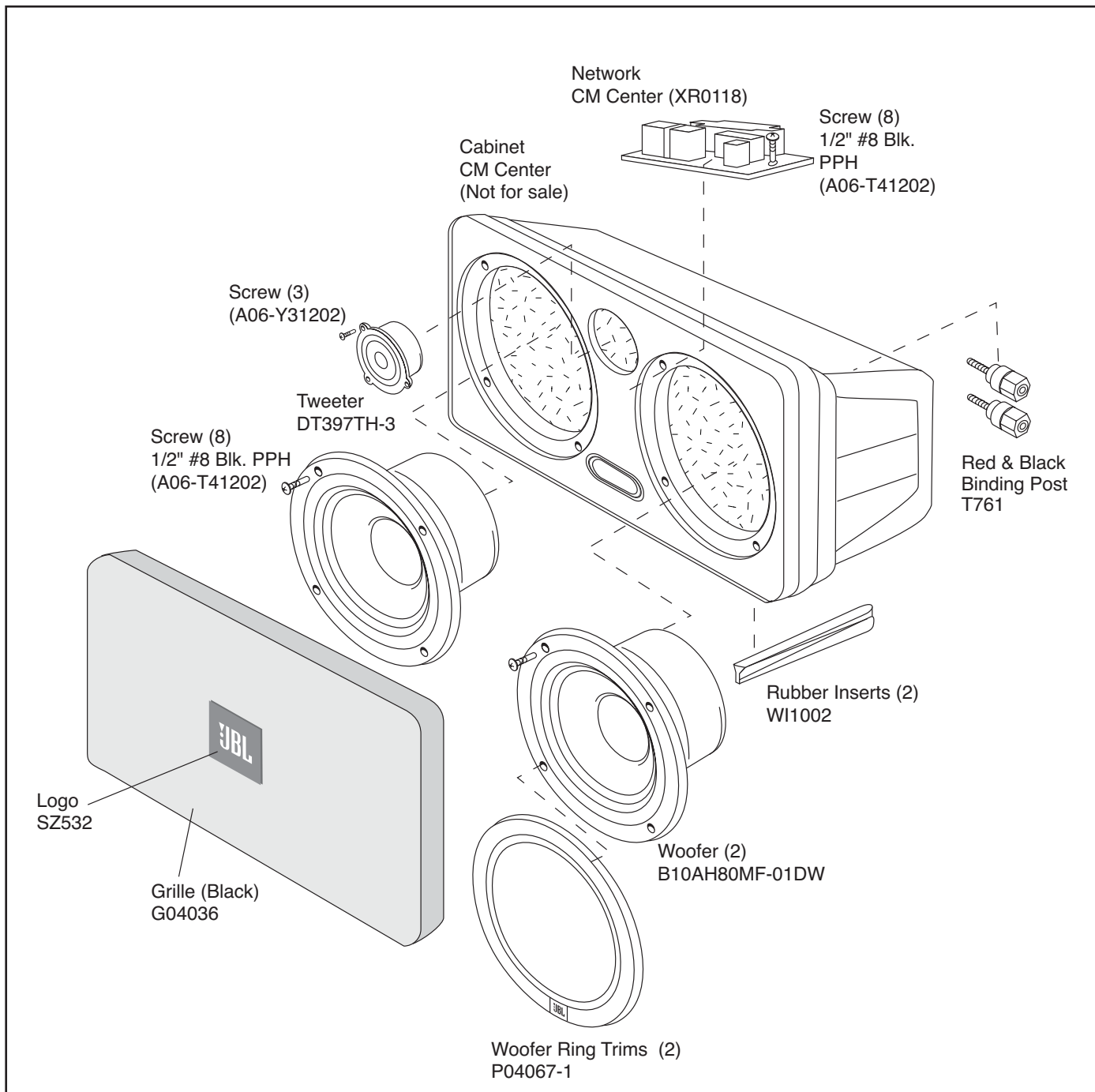
## WIRING DIAGRAM



## SCHEMATIC CM CENTER



## COMPONENT EXPLODED VIEW



For woofer removal: Black trim ring must be carefully pried out of its recess to access mounting screws.