



BASS10

ACOUSTIC & ELECTRICAL SPECIFICATIONS:

- Nominal Impedance 8 ohms
- Max Amp Power 120 watts
- Frequency Response 40Hz - 150Hz (± 3 dB)
- Sensitivity 88 dB (1 watt @ 1 meter)
- Crossover Frequency 150 Hz

SYSTEM COMPONENTS:

- Cabinet BASS10 (Not for Sale)
- Low Frequency Transducer* (2) 5 1/4" Woofers (321772-001)
- DC Resistance 5.5 ohms $\pm 10\%$
- Crossover Network 330162-001

AURAL SWEEP TEST SPECIFICATIONS:

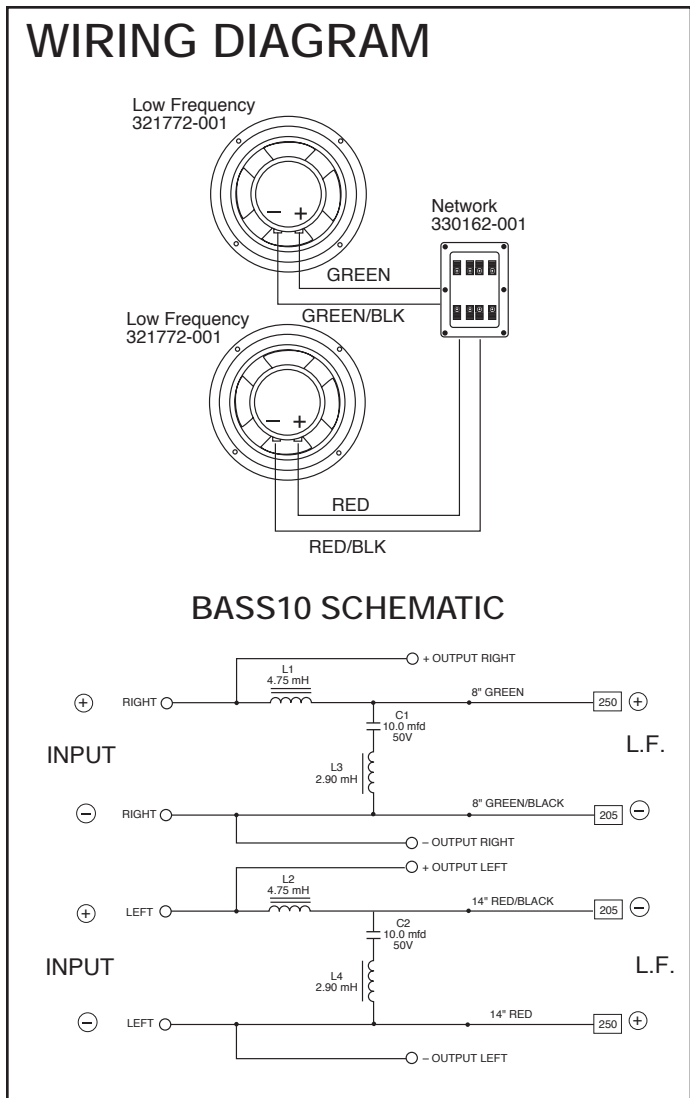
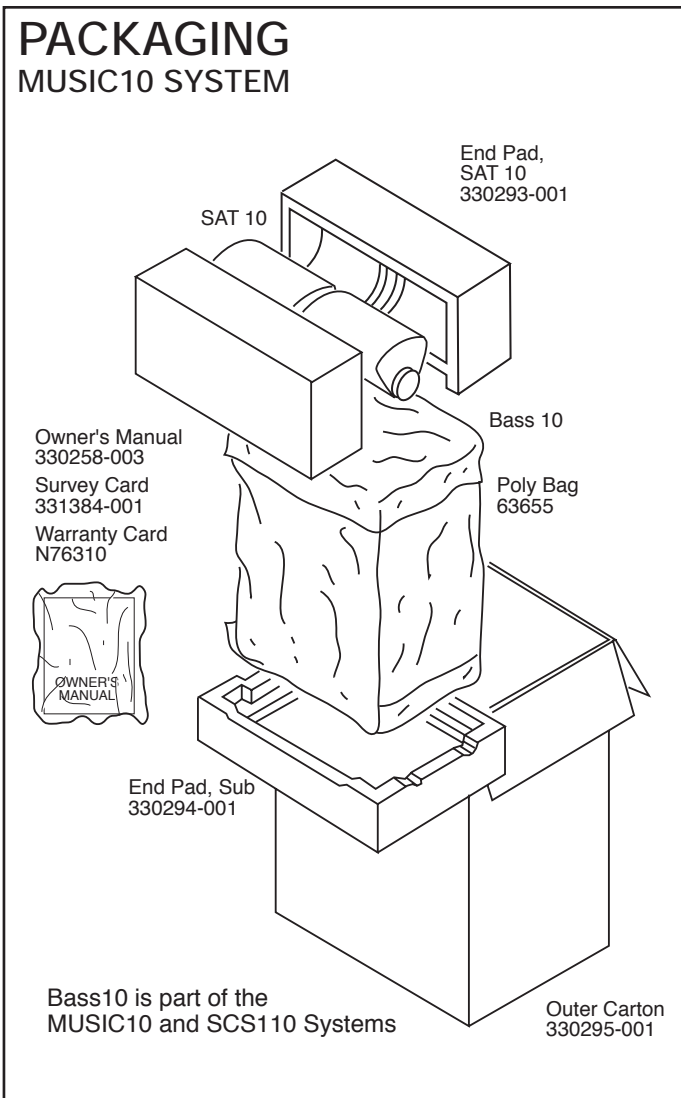
- System Aural Sweep Test 6.0V Input 40 Hz to 150Hz
- L.F. Aural Sweep Test 5.0V Input 40 Hz to 500Hz

PHYSICAL SPECIFICATIONS:

- Enclosure dimensions: 14 3/4 x 8 1/2 x 19" (H x W x D)
(375 x 216 x 482mm)
- Weight 28 lbs. (12.7kg) Each

WARRANTY:

- Refer to Warranty Statement packed with each product.

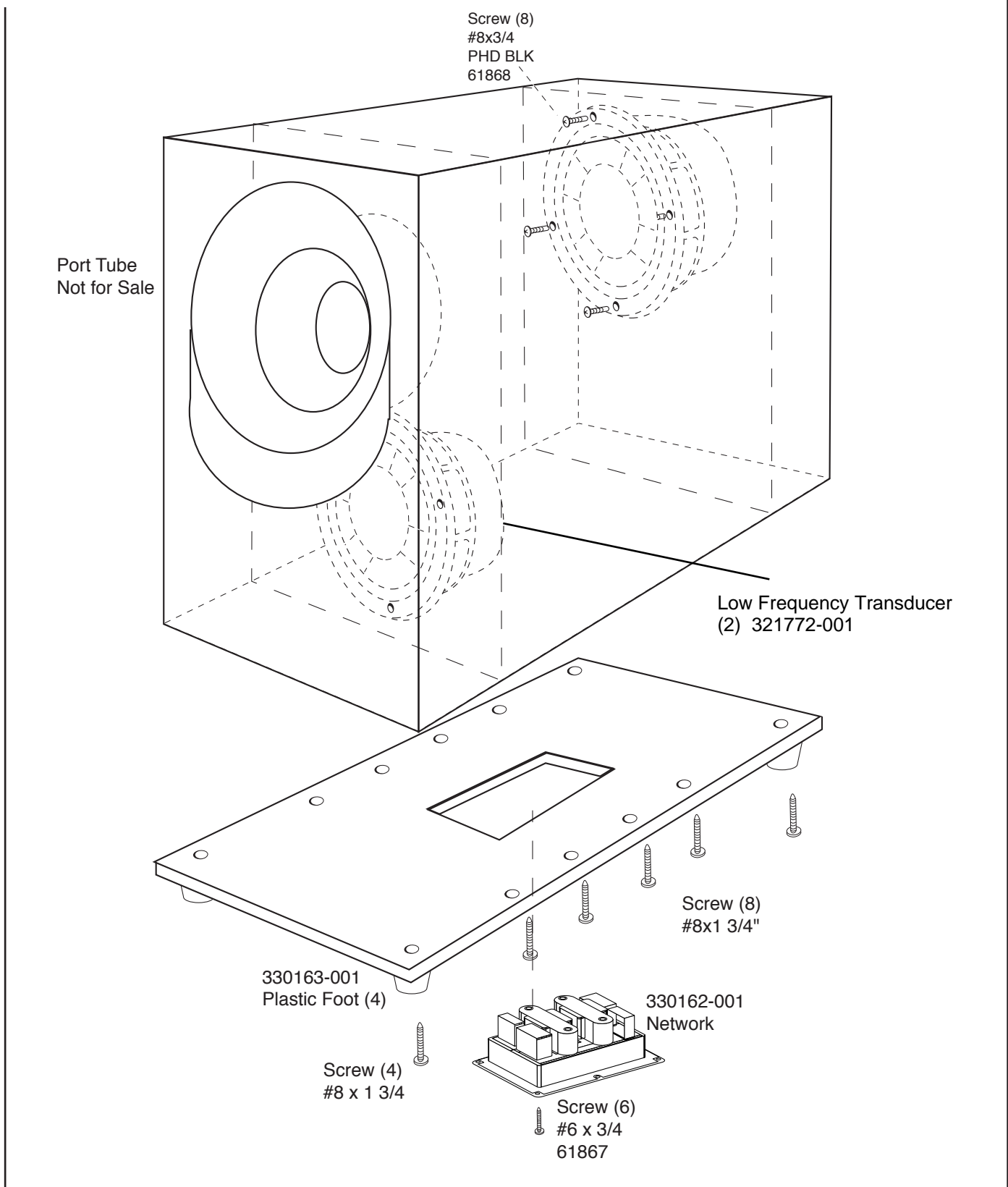


BASS10

BASS10



COMPONENT EXPLODED VIEW



BASS10