

AS-6

SPECIFICATIONS

ACOUSTIC & ELECTRICAL SPECIFICATIONS:

- Nominal Impedance: 8 ohm
- Max Amp Power: 50W
- Frequency Range: 40 Hz – 20 kHz (–6 dB)
- Sensitivity: 90 dB SPL, 1 Watt @ 1 Meter
- Crossover Frequency: 2.5 kHz

SYSTEM COMPONENTS:

- Front Baffle: JBLAS6010
- Grille: JBLAS6004 (Assy)
- Low Frequency Transducer: JBLAS6003 (Woofer)
DC Resistance: 6.8 ohm ±15%
- High Frequency Transducer: 1 in. (25mm) Pure Titanium JBLAS002 (Tweeter)
DC Resistance: 6.2 ohm ±15%
- Crossover Network: JBLAS6006

AURAL SWEEP TEST SPECIFICATIONS:

- A. System Aural Sweep Test: 6.0V Input, 40 Hz to 20 kHz
- B. L.F. Aural Sweep Test: 6.0V Input, 40 Hz to 3 kHz
- C. H.F. Aural Sweep Test: 3.0V Input, 1 kHz to 20 kHz

PHYSICAL SPECIFICATIONS:

- Enclosure Dimensions: 13.0 in. x 7.5 in. (330mm x 190mm)

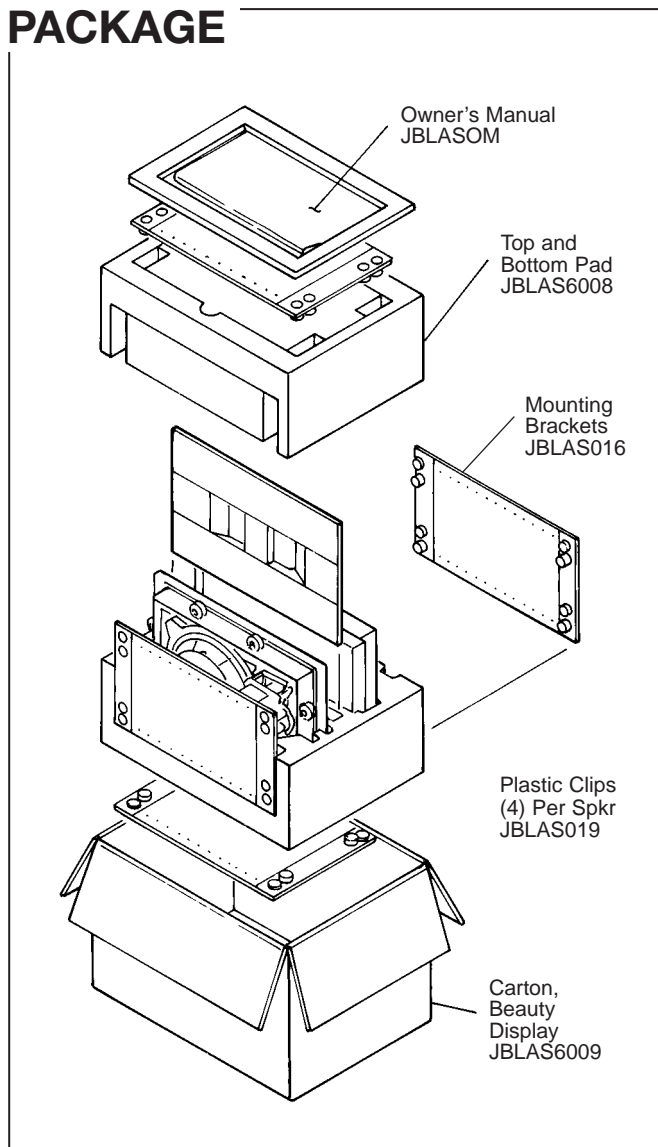
SHIPPING WEIGHT:

14.3 lbs. (6.5 kg.) (In Pairs)

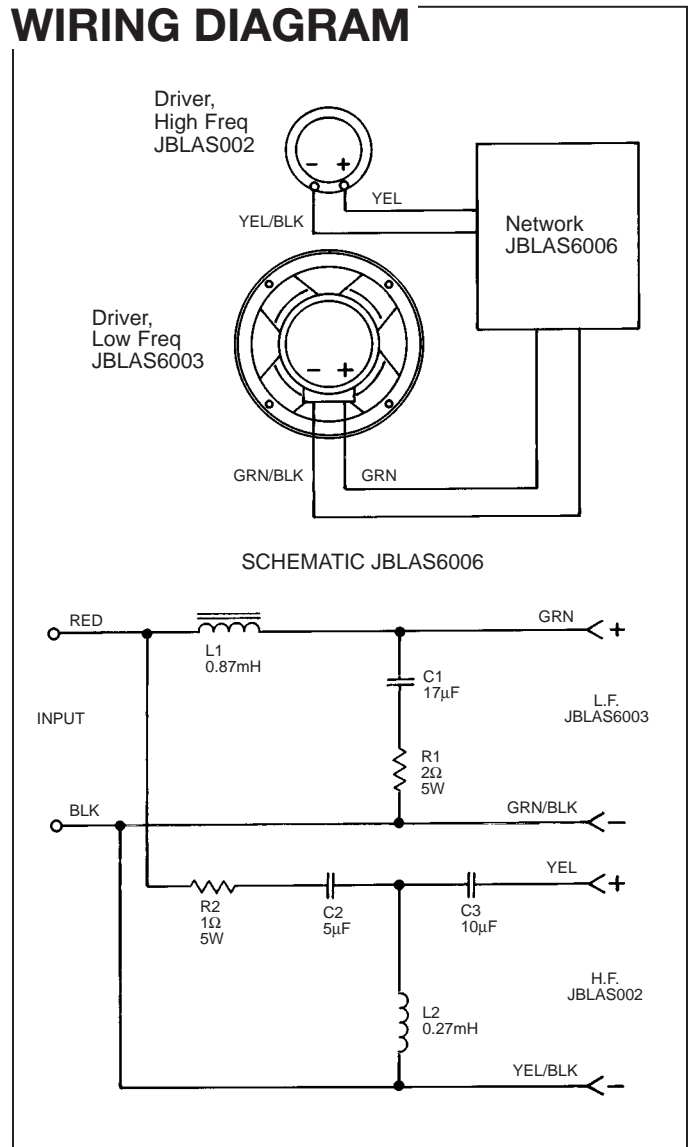
WARRANTY INFORMATION:

- Refer to Warranty Statement packed with each product.

PACKAGE



WIRING DIAGRAM



COMPONENT EXPLODED VIEW

