

# ARC CENTER

## SPECIFICATIONS

### ACOUSTIC & ELECTRICAL SPECIFICATIONS:

- Nominal Impedance: 8 ohm
- Max Amp Power: 70W
- Frequency Response: 100 Hz – 20 kHz (-6 dB)
- Sensitivity: 89 dB SPL, 1 Watt @ 1 Meter
- Crossover Frequency: 9.0 kHz

### SYSTEM COMPONENTS:

- Cabinet: ARC Center (Not For Sale)
- Low Frequency Transducer: CT-249-S 4-1/2 in. (114mm) Hi-Polymer Laminate (2)  
DC Resistance: 7.0 ohm ±10%
- High Frequency Transducer: 2 in. (50mm) Paper Cone 72773-REV A  
DC Resistance: 7.0 ohm ±10%
- Crossover Network: ARC Center JBEN01-S

### AURAL SWEEP TEST SPECIFICATIONS:

- A. System Aural Sweep Test: 5.0V Input, 80 Hz to 20 kHz
- B. L.F. Aural Sweep Test: 5.0V Input, 80 Hz to 4 kHz
- C. H.F. Aural Sweep Test: 3.0V Input, 4 kHz to 20 kHz

### PHYSICAL SPECIFICATIONS:

- Enclosure Dimensions: 6.0 x 16.0 x 6.25 in. D (152mm x 406mm x 159mm D)

### SHIPPING WEIGHT:

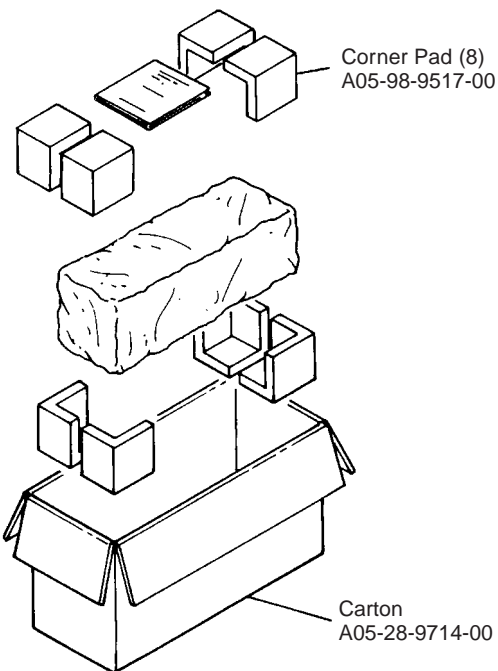
9 lbs. (4.1 kg.)

### WARRANTY INFORMATION:

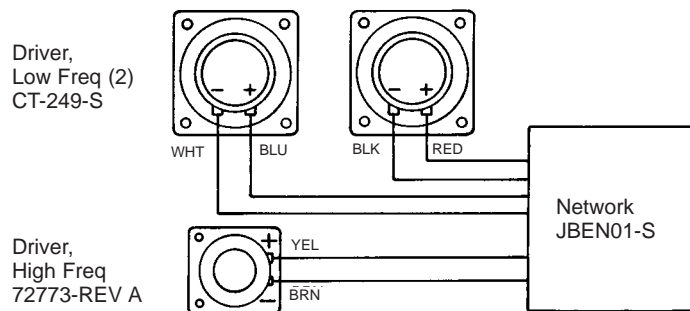
- Refer to the Warranty Statement packed with each product.

## PACKAGE

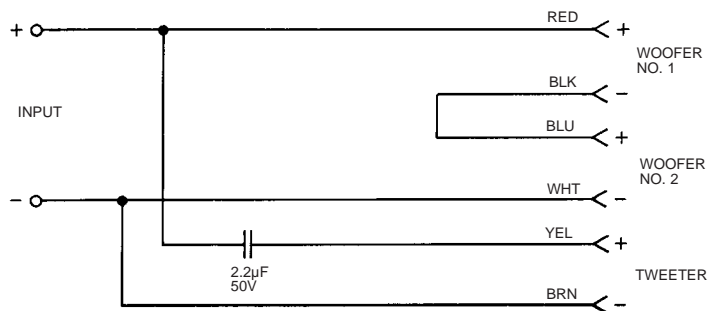
Warranty 73885  
Owner's Manual  
A05-30-9535-00



## WIRING DIAGRAM



SCHEMATIC ARC CENTER



NOTE: CONE/DIAPHRAGM KIT NOT AVAILABLE. DEFECTIVE SPEAKER SHOULD BE REPLACED.

ARC CENTER

# ARC CENTER

## COMPONENT EXPLODED VIEW

