

ARC90



ACOUSTIC & ELECTRICAL SPECIFICATIONS:

- Nominal Impedance 8 ohms
- Max Amp Power 200 watts
- Frequency Response 35 Hz - 23 kHz ($\pm 3\text{dB}$)
- Sensitivity 92 dB (1 watt @ 1 meter)
- Crossover Frequency 800 Hz/3200 Hz

SYSTEM COMPONENTS:

- Cabinet ARC90 (Not for Sale)
- Grille 308778-002
- Low Frequency Transducer 10" High Polymer Laminate (330054-001)
- DC Resistance 4.9 ohms $\pm 10\%$
- Mid Frequency Transducer 5" High Polymer Laminate (330052-001)
- DC Resistance 4.4 ohms $\pm 10\%$

- High Frequency Transducer 1" (25mm) Titanium Dome (330050-001)
- DC Resistance 3.7 ohms $\pm 10\%$
- Crossover Network 308833-001

AURAL SWEEP TEST SPECIFICATIONS:

- System Aural Sweep Test 6.0V Input 20 Hz to 23 kHz
- L.F. Aural Sweep Test 6.0V Input 30 Hz to 900 Hz
- M.F. Aural Sweep Test 4.0V Input 700Hz to 4 kHz
- H.F. Aural Sweep Test 2.83V Input 3 kHz to 23 kHz

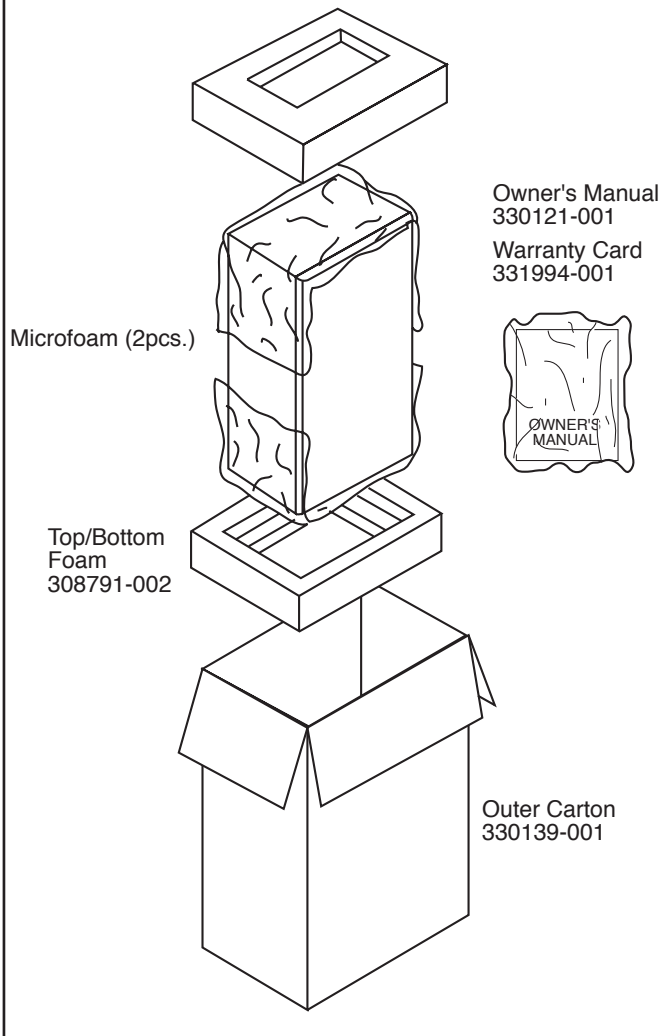
PHYSICAL SPECIFICATIONS:

- Enclosure dimensions: 28 x 13 $\frac{1}{2}$ x 11 $\frac{7}{16}$ " (H x W x D)
711 x 343 x 291mm
- Weight 36 lbs. (16.3kg) Each

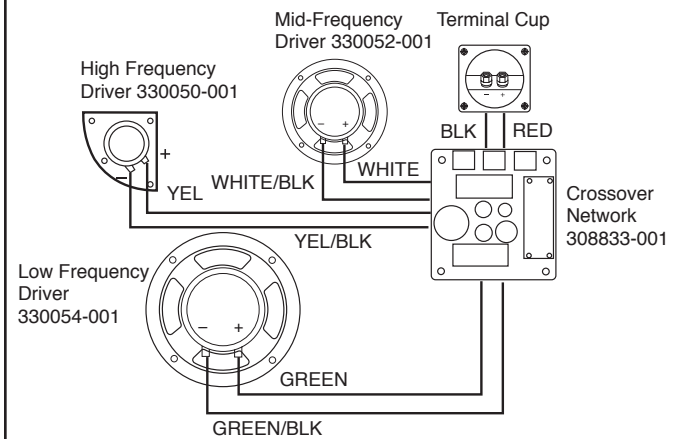
WARRANTY:

- Refer to Warranty Statement packed with each product.

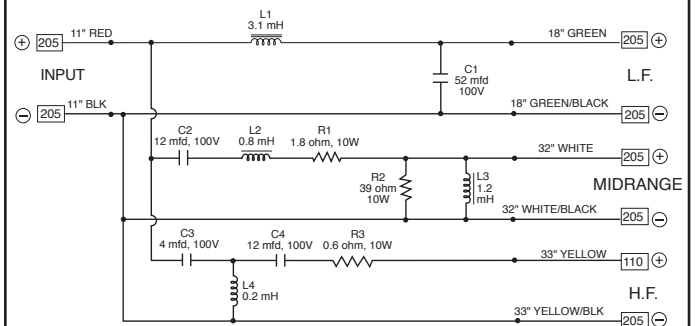
PACKAGING



WIRING DIAGRAM



ARC90 SCHEMATIC

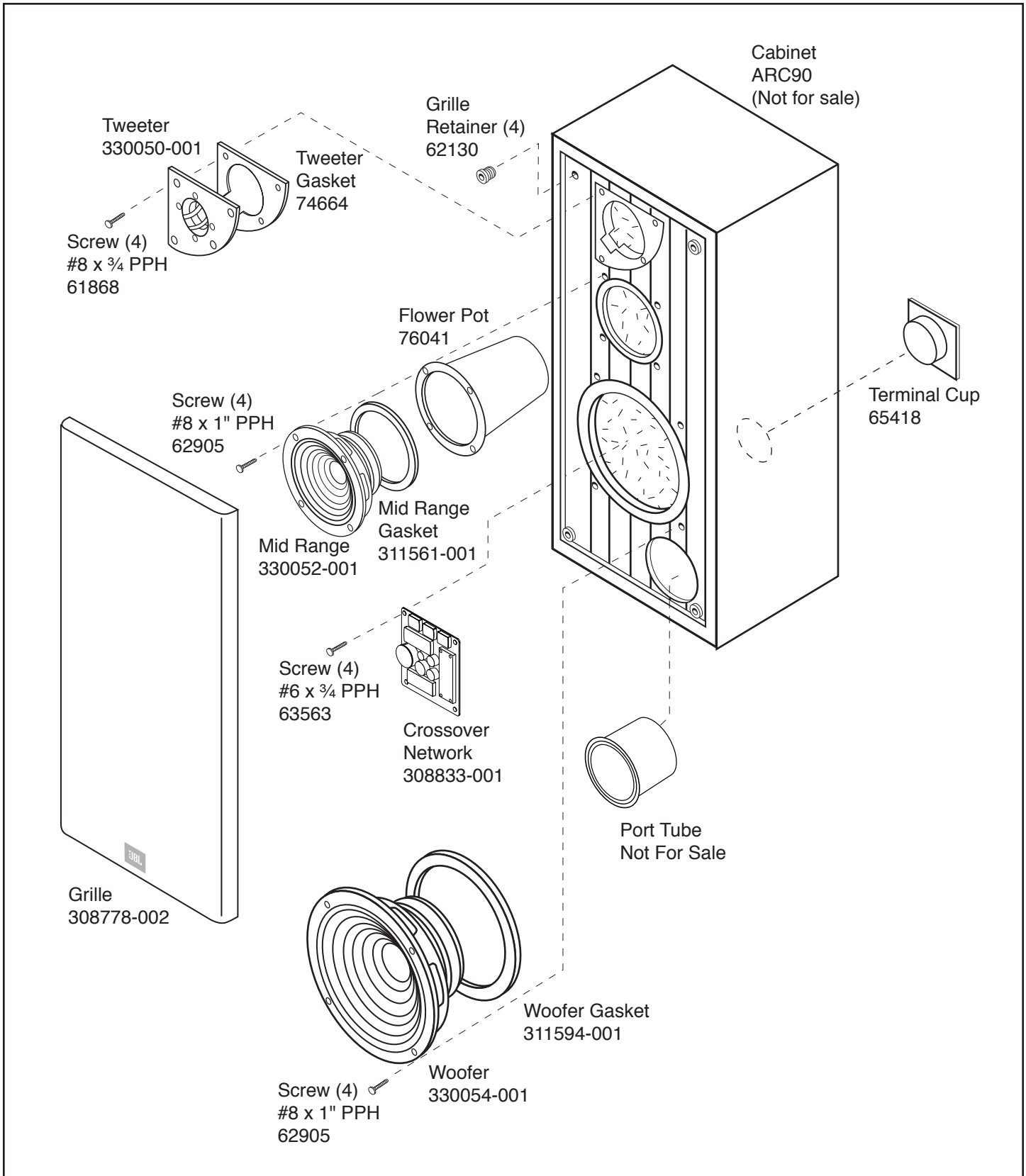


ARC90

ARC90



EXPLODED VIEW



ARC90