

ARC70



ACOUSTIC & ELECTRICAL SPECIFICATIONS:

- Nominal Impedance 8 ohms
- Max Amp Power 150 watts
- Frequency Response 36 Hz - 23 kHz ($\pm 3\text{dB}$)
- Sensitivity 91 dB (1 watt @ 1 meter)
- Crossover Frequency 760 Hz/3700 Hz

SYSTEM COMPONENTS:

- Cabinet ARC70 (Not for Sale)
- Grille 308668-002
- Low Frequency Transducer 8" High Polymer Laminate (330053-001)
- DC Resistance 5.5 ohms $\pm 10\%$
- Mid Frequency Transducer 5" High Polymer Laminate (330052-001)
- DC Resistance 4.4 ohms $\pm 10\%$

- High Frequency Transducer 1" (25mm) Titanium Dome (330050-001)
- DC Resistance 3.7 ohms $\pm 10\%$
- Crossover Network 330142-001

AURAL SWEEP TEST SPECIFICATIONS:

- System Aural Sweep Test 6.0V Input 20 Hz to 23 kHz
- L.F. Aural Sweep Test 6.0V Input 30 Hz to 800 Hz
- M.F. Aural Sweep Test 4.0V Input 700Hz to 4 kHz
- H.F. Aural Sweep Test 2.83V Input 3 kHz to 23 kHz

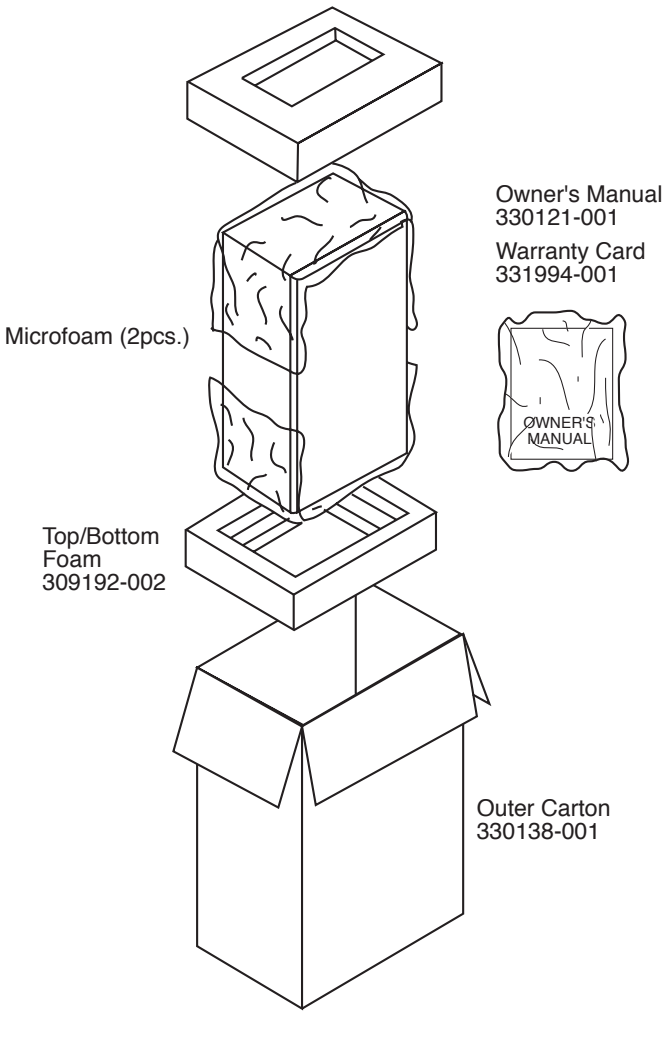
PHYSICAL SPECIFICATIONS:

- Enclosure dimensions: 26 x 12 $\frac{1}{8}$ x 11 $\frac{7}{16}$ " (H x W x D)
660 x 308 x 291mm
- Weight 31 lbs. (14kg) Each

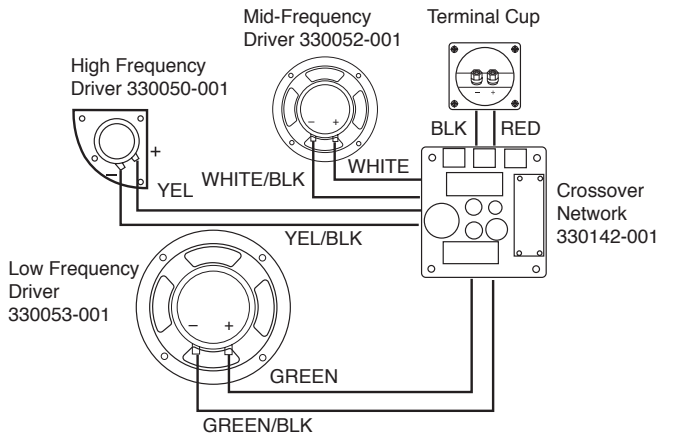
WARRANTY:

- Refer to Warranty Statement packed with each product.

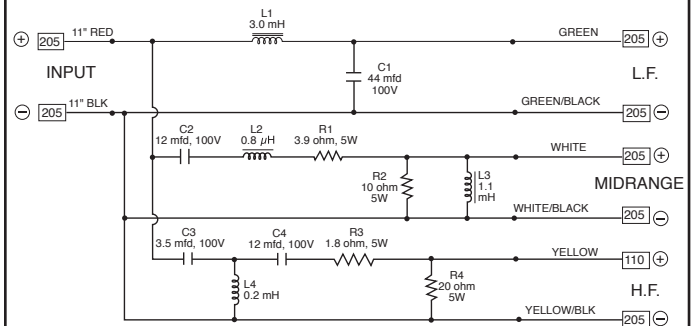
PACKAGING



WIRING DIAGRAM



ARC70 SCHEMATIC

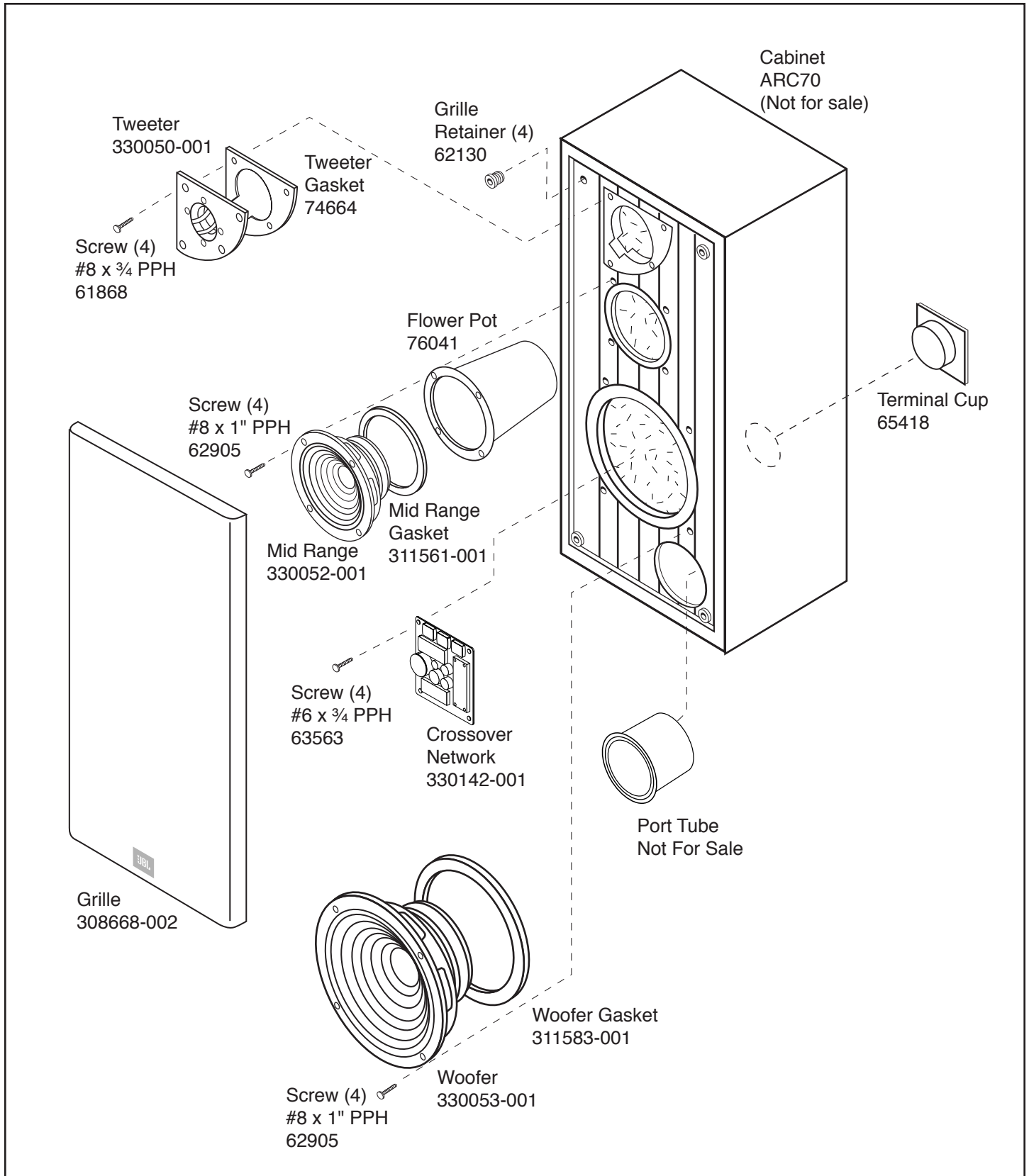


ARC70

ARC70



EXPLODED VIEW



ARC70