



ARC30

ACOUSTIC & ELECTRICAL SPECIFICATIONS:

- Nominal Impedance 8 ohms
- Max Amp Power 125 watts
- Frequency Response 50 Hz - 23 kHz (-6dB)
- Sensitivity 90dB (1 watt @ 1 meter)
- Crossover Frequency 3700 Hz

SYSTEM COMPONENTS:

- Cabinet ARC30 (Not for Sale)
- Grille 308296-002
- Low Frequency Transducer 6 1/2" High Polymer Laminate (330051-001)
 - DC Resistance 5.8 ohms ±10%
- High Frequency Transducer 1" (25mm) Titanium Dome (330050-001)
 - DC Resistance 3.7 ohms ±10%
- Crossover Network 308351-001

AURAL SWEEP TEST SPECIFICATIONS:

- System Aural Sweep Test 6.0V Input 20 Hz to 23 kHz
- L.F. Aural Sweep Test 6.0V Input 50 Hz to 4 kHz
- H.F. Aural Sweep Test 3.0V Input 3 kHz to 23 kHz

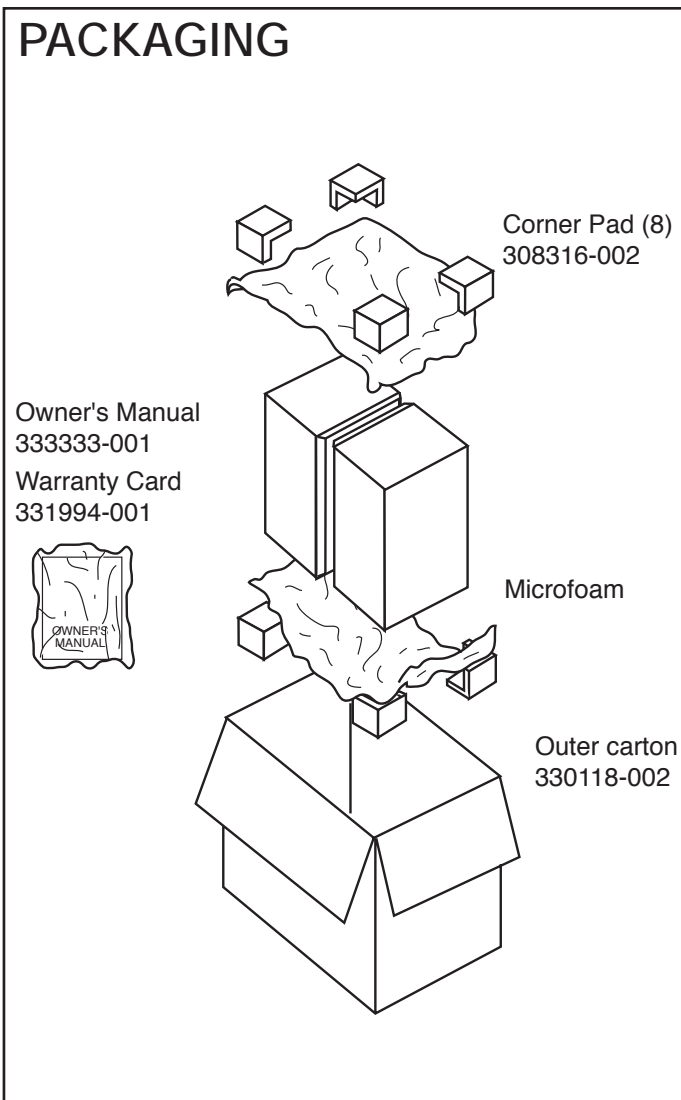
PHYSICAL SPECIFICATIONS:

- Enclosure dimensions: 17 7/8 x 9 5/8 x 8 1/4" (H x W x D)
441 x 245 x 210mm
- Weight 37 lbs. (16.8kg) Sold in Pairs

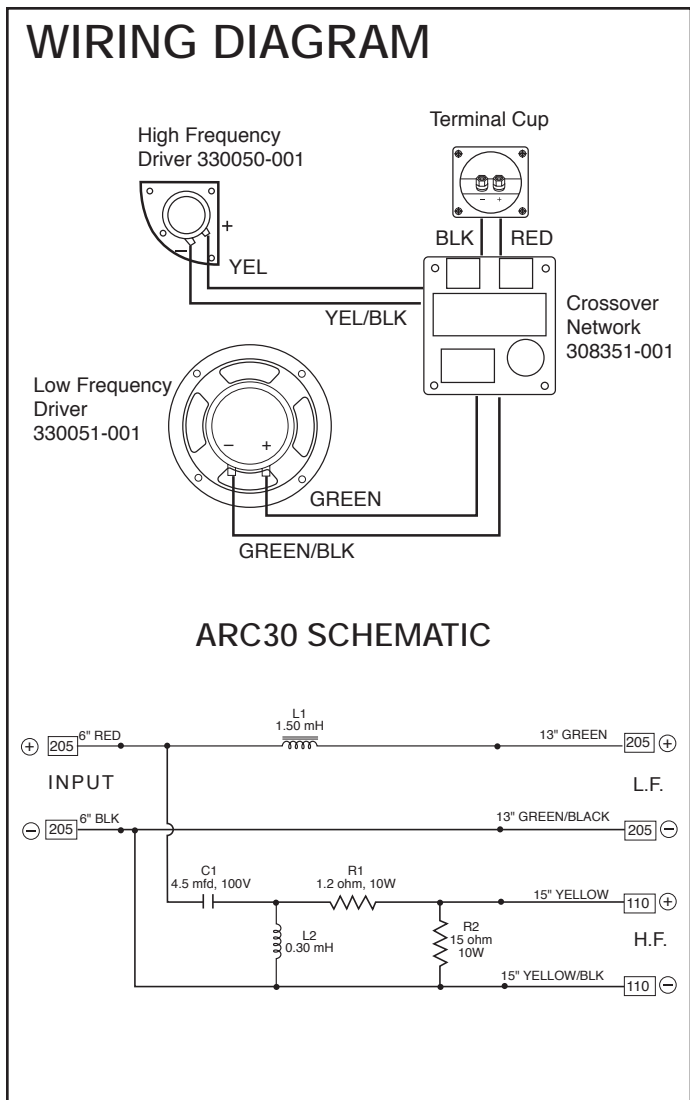
WARRANTY:

- Refer to Warranty Statement packed with each product.

PACKAGING



WIRING DIAGRAM



ARC30

ARC30



EXPLODED VIEW

