

Technical Manual

4348



ACOUSTIC & ELECTRICAL SPECIFICATIONS:

- Nominal Impedance 6 Ohms
- Max Amp Power 200 Watts* continuous, 800 watts peak
- Frequency Response 33Hz – 40kHz (–6dB)
- Sensitivity 95dB (2.83V @ 1 meter)
- Crossover Frequencies 300Hz, 1kHz, 10kHz

SYSTEM COMPONENTS:

- Cabinet 4348 (not for sale)
- Grille 339121-001 (upper) 339122-001 (lower)
- Ultrahigh-Frequency Transducer 1" (25mm) 045TI (339009-001)
DC Resistance 3.1 ohms, ±10%
- High-Frequency Transducer 3" (76mm) 435AL (338831-001)
DC Resistance 4.1 ohms, ±10%
- Mid-Frequency Transducer 10" (254mm) 225J-1 (350876-001)
DC Resistance 13.1 ohms, ±10%
- Low-Frequency Transducer 15" (381mm) 1500FE (338975-001)
DC Resistance 5.5 ohms, ±10%
- Crossover Network (Low-Freq) 339126-002
- Crossover Network (Mid/Twt) 339126-001

AURAL SWEEP TEST SPECIFICATIONS:

- System Aural Sweep Test 6.0V Input 30Hz to 40kHz
- L.F. Aural Sweep Test 5.0V Input 30Hz to 500Hz
- M.F. Aural Sweep Test 4.0V Input 100Hz to 2kHz
- H.F. Aural Sweep Test 2.83V Input 1kHz to 10kHz
- U.H.F. Aural Sweep Test 2.83V Input 8kHz to 40kHz

PHYSICAL SPECIFICATIONS:

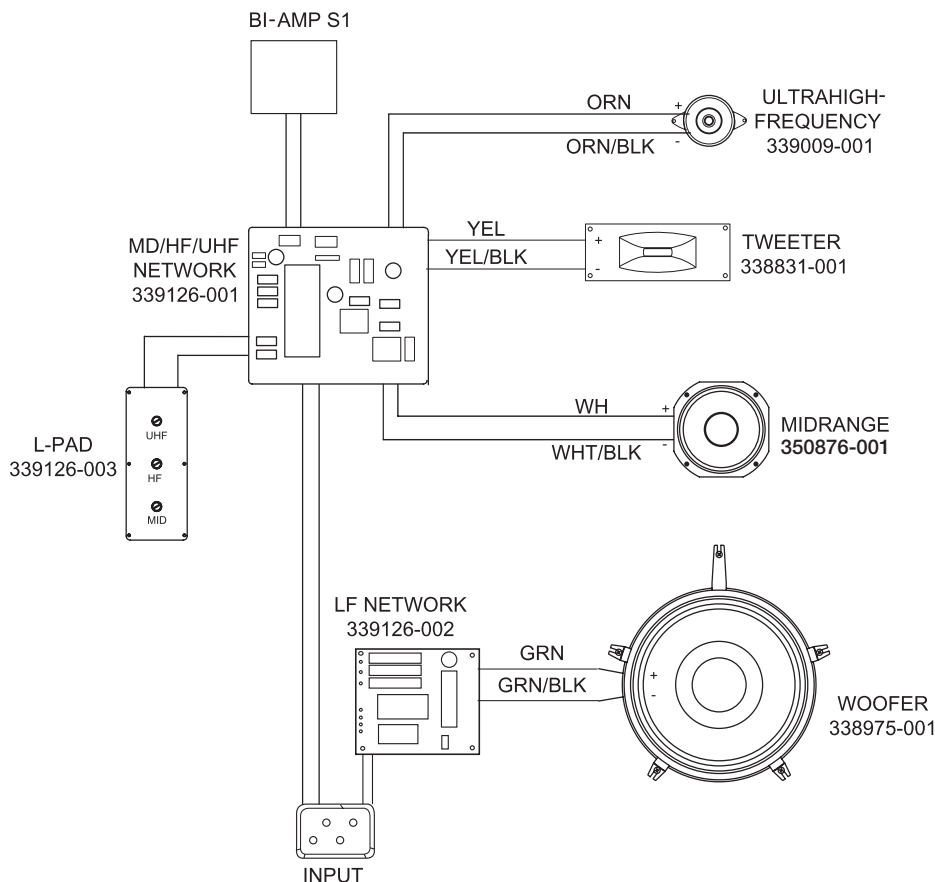
- Enclosure Dimensions 42-1/2" x 23-1/2" x 15-3/4" (H x W x D) (1079mm x 597mm x 400mm) (plus grille's 1" depth)
- Weight 200 lb (90.7kg) each

WARRANTY:

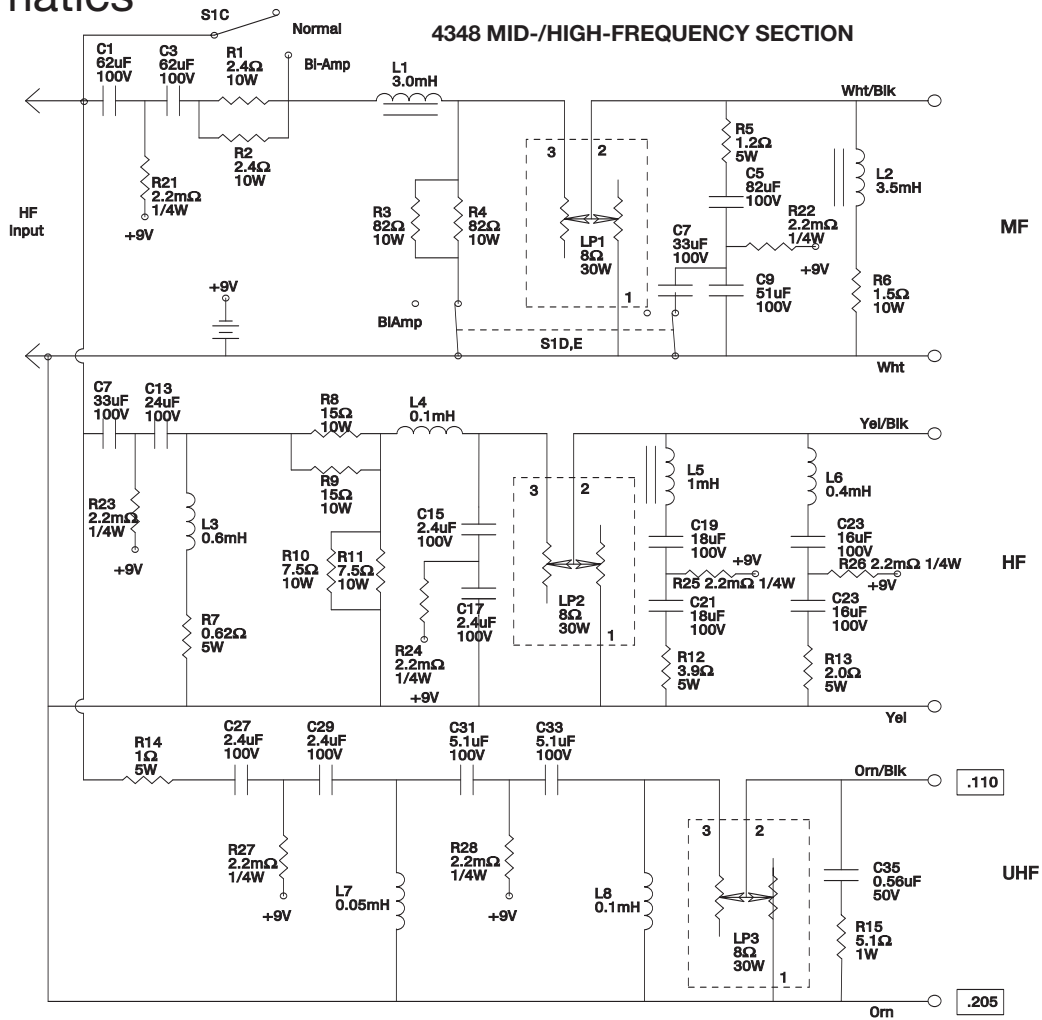
- Refer to Warranty Statement packed with each product.

* The maximum recommended amplifier power rating will ensure proper system headroom to allow for occasional peaks. We do not recommend sustained operation at these maximum power levels.

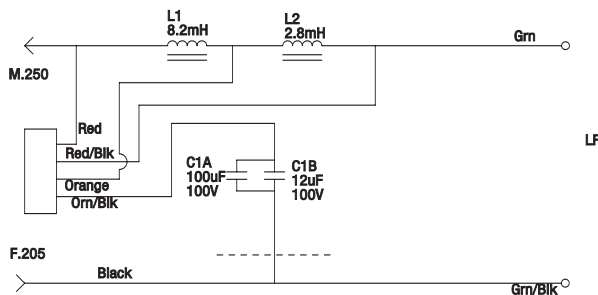
WIRING DIAGRAM



Schematics



4348 LOW-FREQUENCY SECTION



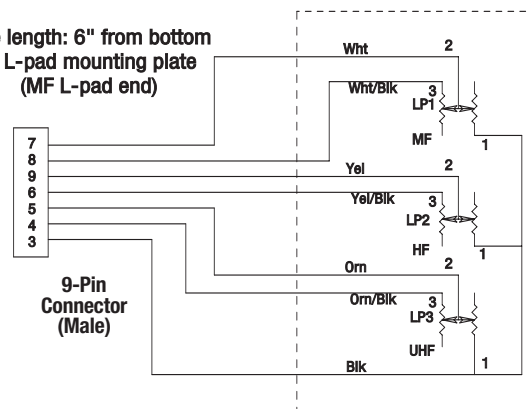
On HF Network Assembly

7	Wht	MF out, Wht/Blk
8	Wht/Blk	L1, R3, R4
9	Yel	HF out, Yel/Blk
6	Yel/Blk	L4, C15
5	Om	UHF out, Om
4	Om/Blk	C33
3	Blk	Ground, Blk

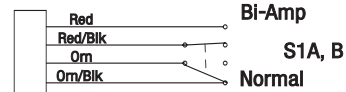
9-Pin Connector (Female)
Wire length: 6" from network Monster Cable®

L-PAD ASSEMBLY 339126-003

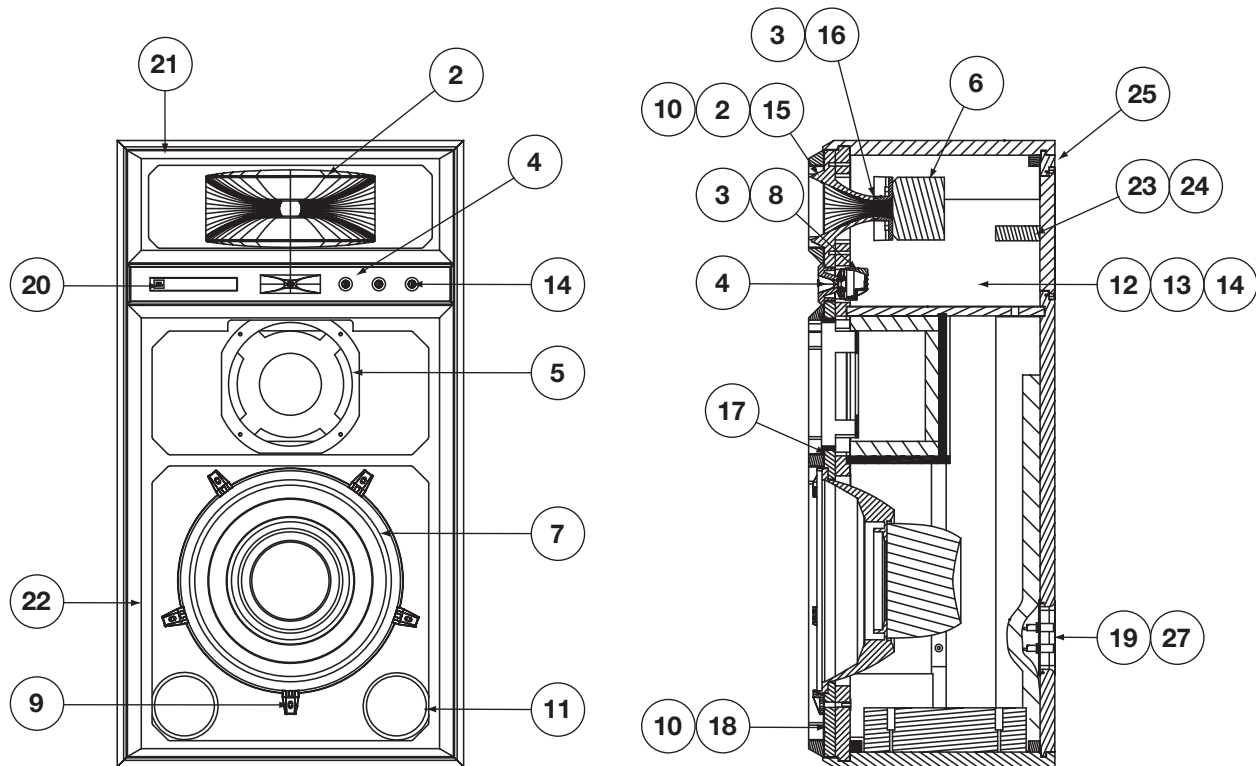
Wire length: 6" from bottom of L-pad mounting plate (MF L-pad end)



4-Pin Connector (Female)



Wire length: 8" from network



Item	Part No.	Description	Item	Part No.	Description
1	335692-001	Protective Corner, 48" (4)	15	339130-001	GSKT, Horn, HF
2	339091-001	Horn, HF, FRNT, PNTD	16	339702-001	GSKT, Horn, Throat, HF
3	339092-001	Horn, HF, REAR, PNTD	17	338073-001	GSKT, DRVR, 15"
4	339911-001	Horn, UHF, Faceplate	18	350238-001	GSKT, Damping
5	350876-001	Assy, Mid-Bass, Spkr-2251J-1	19	339126-004	Plate, Input
6	338831-001	Assy, HF-435AL	20	339250-001	Nameplate 4348
7	338975-001	Assy, Woofer-1500Fe	21	339121-001	ASSY, Grille, UPR, MDF
8	339009-001	Assy, Twtr, UHF-045TI	22	339122-001	ASSY, Grille, LWR, MDF
9	338727-001	Clamp, Wfr-4348 (5)	23	339126-005	Battery, Bi-Amp Switch Cover
10	333249-001	Cup, Grille (10)	24	339867-001	GSKT, PL, SW
11	47909-58	Port Tube, CRDBD, 4.125x7.0x1/8THK (2)	25	350330-001	GSKT, PNL, Access
12	339126-001	ASSY, Xover, HF	26	339123-001	Carton, Master
13	339126-002	ASSY, Xover, LF	27	184-921200-169	Shorting Strap
14	339126-003	ASSY, L-Pad w/Knob			

TO SERVICE NETWORK, L-PAD, HF AND UHF DRIVERS:

- 1) At rear of loudspeaker, remove the (10) black Phillips screws holding rectangular access panel in place.
- 2) Remove the (2) black Phillips screws to the battery/switch cover; remove the cover.
- 3) Using the exposed cavity for leverage, remove the access cover.