

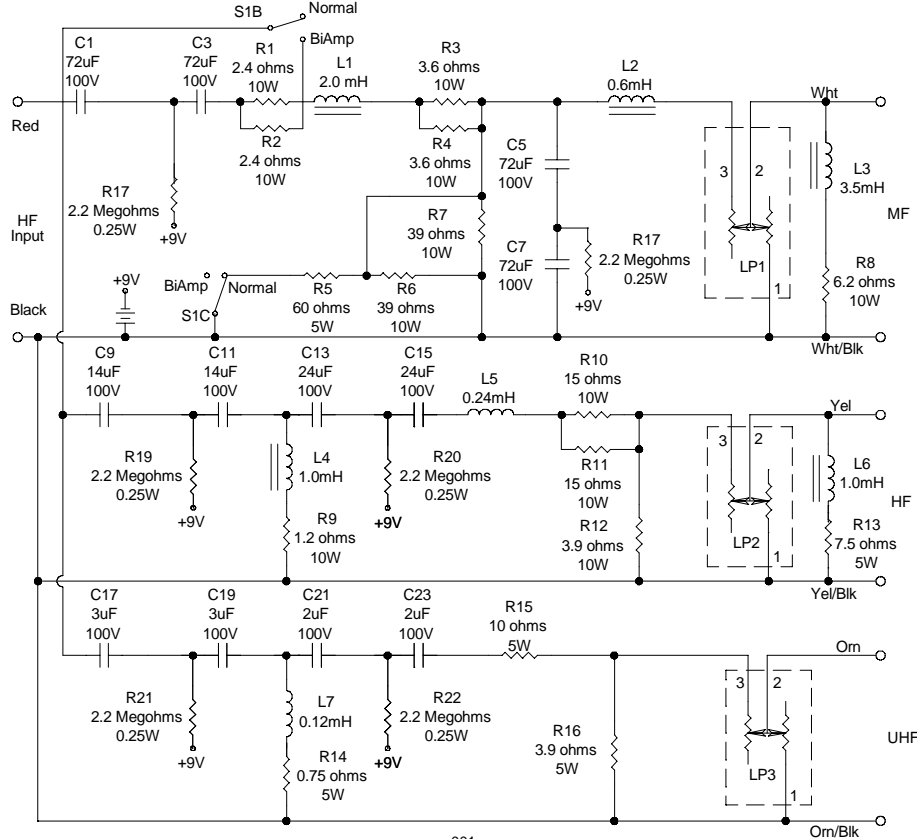
CONE KIT FOR □
WOOFER: □
C8RME150

4344 MkII L/R

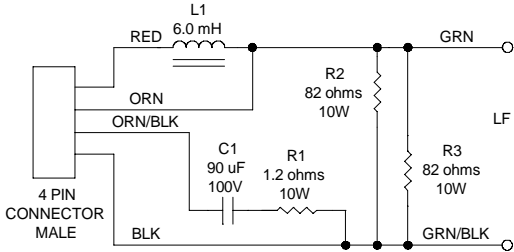


Schematics

4344 MKII L/R HIGH FREQUENCY SECTION



4344 MKII L/R LOW FREQUENCY SECTION

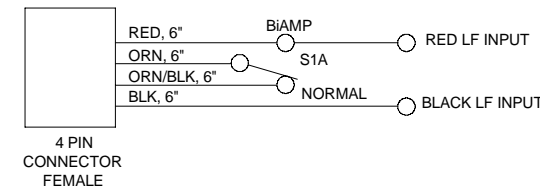
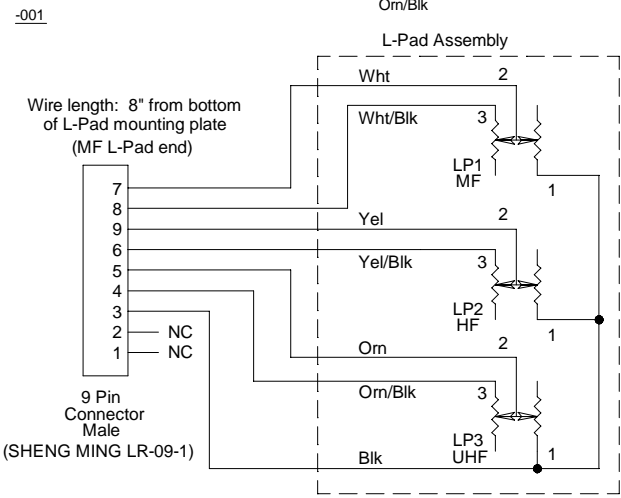


4344MkII L/R On HF Network Assembly

7	Wht	MF out, Wht
8	Wht/Blk	R3, R4, R5, R6
9	Yel	HF out, Yel
6	Yel/Blk	R8, R9, R10
5	Om	UHF out, Om
4	Om/Blk	R13, R14
3	Blk	Ground
2	NC	
1	NC	

Wire length: 12" from Network

9 PIN CONNECTOR FEMALE



4344 MkIII L/R