

Technical Manual

4312SX (L/R)

ACOUSTIC & ELECTRICAL SPECIFICATIONS:

- Nominal Impedance: 6 ohms
- Max Amp Power 150 watts*
- Frequency Response 50 Hz - 50kHz
- Sensitivity: 93dB@2.83Volts/1meter
- Crossover Frequency: 900 Hz, 3800Hz

SYSTEM COMPONENTS:

- Cabinet 4312SX (R/L), (Not for Sale)
- Grille, Black 336585-001
- High-Frequency Transducer: 1" (25.4mm), Audax (AW025) (336654-001)
DC Resistance 3.6 ohms±10%
- Midrange Transducer 4" (101mm) (904TI-1) (336327-002)
DC Resistance 4.1 ohms±10%
- Low-Frequency Transducer 12" (305mm) (2213H) (59323)
DC Resistance 4.6 ohms±10%
- Crossover Network 336588-001

AURAL SWEEP TEST SPECIFICATIONS:

- System Aural Sweep Test 6.0V Input 50 Hz to 50 kHz
- L.F. Aural Sweep Test 5.0V Input 50 Hz to 1 kHz
- M.F. Aural Sweep Test 4.0V Input 500 Hz to 4 kHz
- H.F. Aural Sweep Test 2.83V Input 3 kHz to 50 kHz

PHYSICAL SPECIFICATIONS:

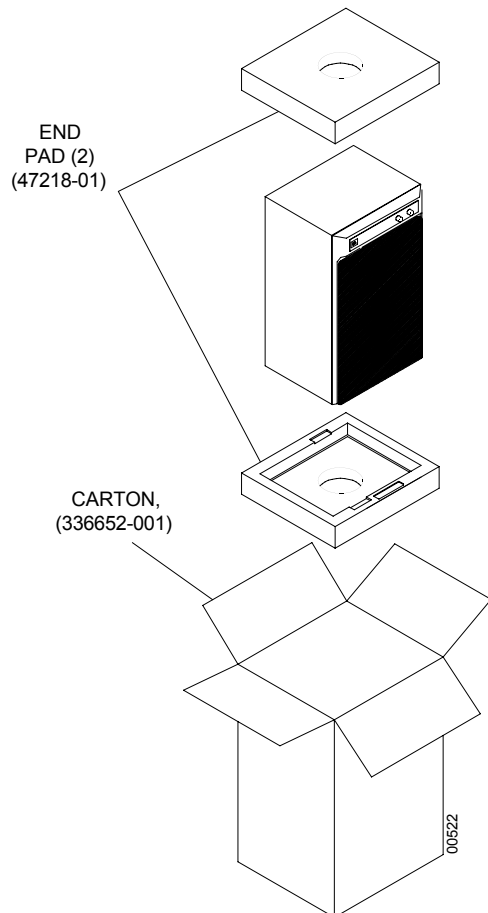
- Enclosure dimensions: 23.5" x 14.25" x 11.75"
(597mm x 362mm x 299mm)
- Weight 48 lbs (22 kg) Each

WARRANTY:

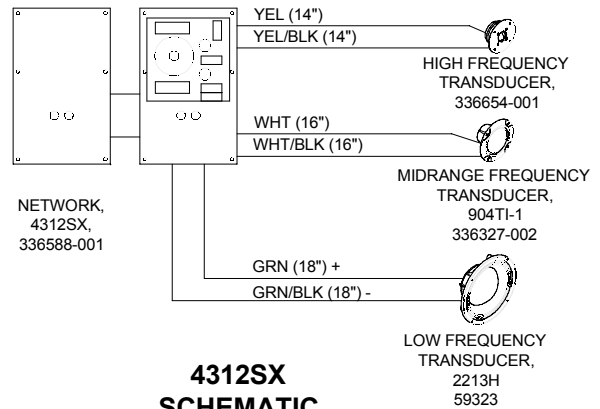
- Refer to Warranty Statement packed with each product.

* The maximum recommended amplifier power rating will ensure proper system headroom to allow for occasional peaks. We do not recommend sustained operation at these maximum power levels.

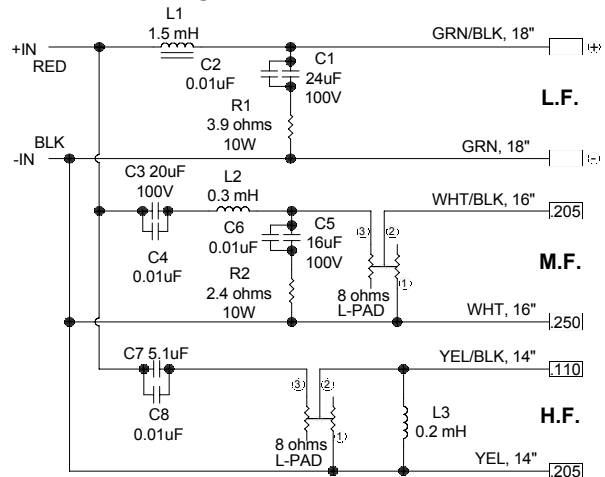
PACKING



WIRING DIAGRAM



4312SX SCHEMATIC



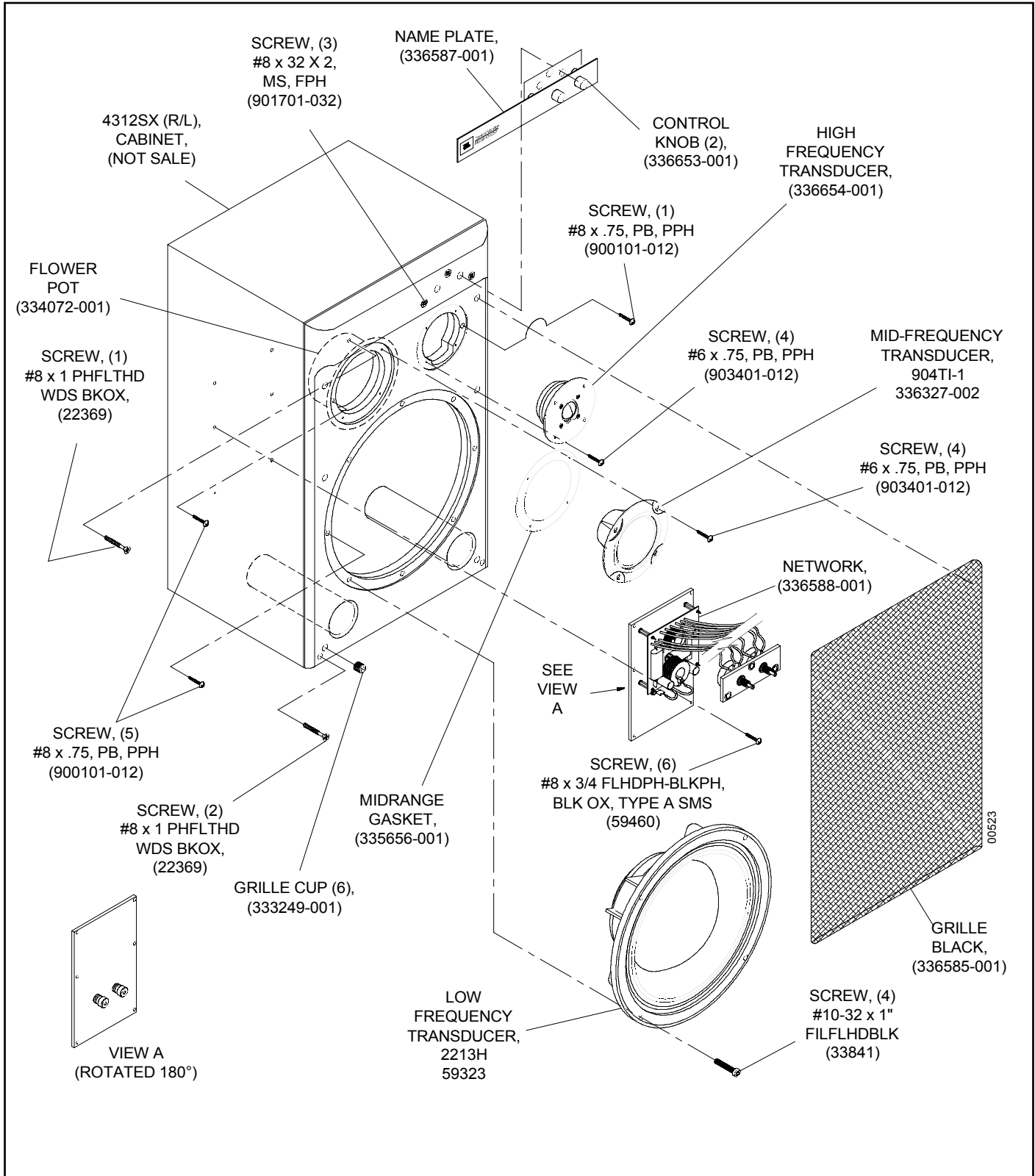
4312SX (R/L)

Technical Manual

4312SX (L/R)



EXPLODED VIEW



4312SX (R/L)